

Lymphology

Date:

Order Quotation only

Company stamp, phone (in block letters) Contact person:	Patient details <input type="checkbox"/> Photo documentation will follow by e-mail¹ Order no.?: <div style="text-align: right;"> <input type="checkbox"/> Female <input type="checkbox"/> Male <input type="checkbox"/> Diverse </div> Order number / process number: Previous order no. / Quotation no. / Date: Quantity: Piece Customer no.:
---	---

Fabric	mmHg	18 - 21	23 - 32
		CCL 1	CCL 2
Juzo Expert		<input type="checkbox"/> 3021	<input type="checkbox"/> 3022
Juzo Expert Silver		<input type="checkbox"/> 3021	<input type="checkbox"/> 3022
Juzo Expert Cotton		<input type="checkbox"/> 3021	<input type="checkbox"/> 3022
Juzo Expert Strong		<input type="checkbox"/> 3051	<input type="checkbox"/> 3052
Juzo Expert Strong Silver		<input type="checkbox"/> 3051	<input type="checkbox"/> 3052

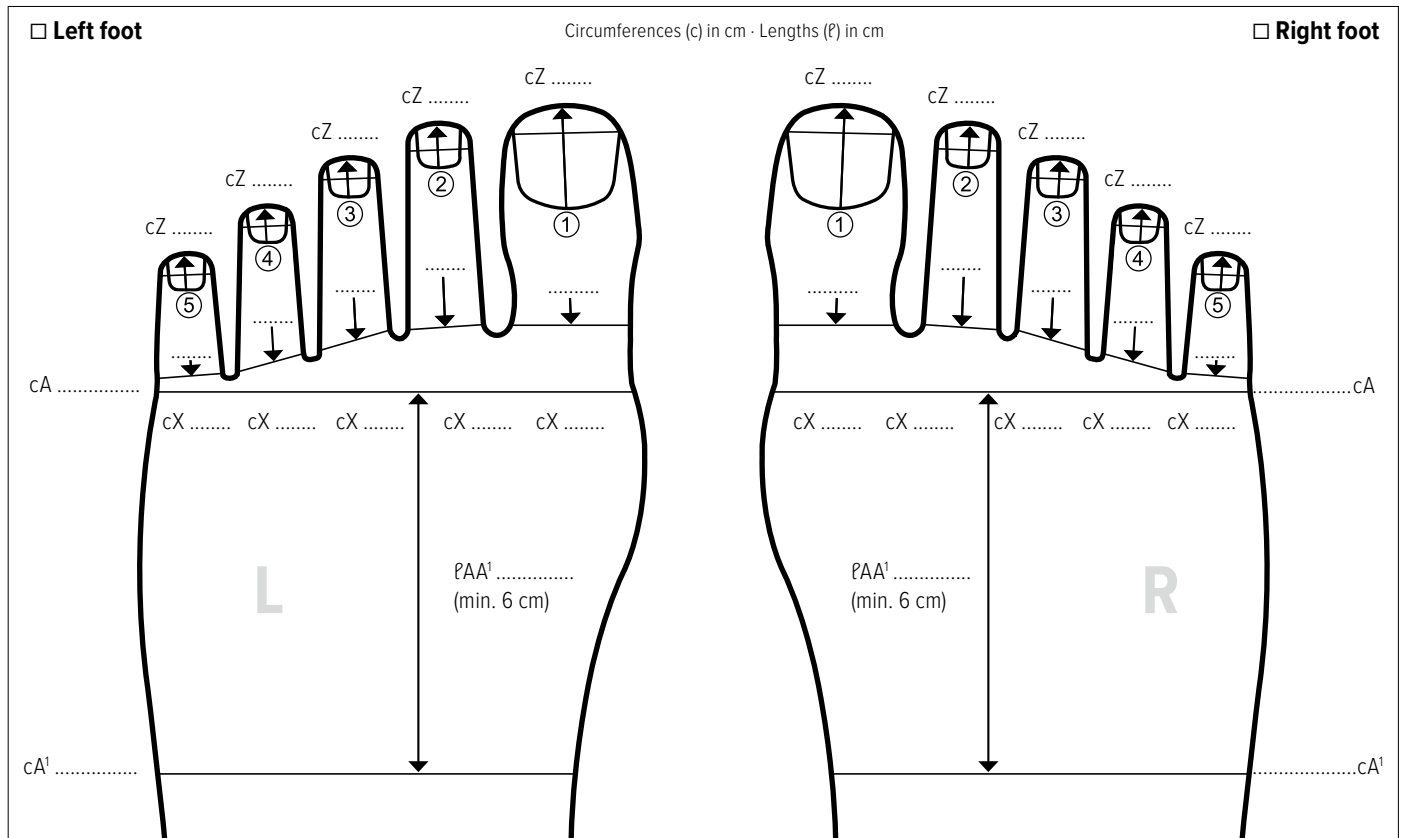
Colour If not indicated we will deliver colour Almond. Silver and Cotton available in colour Almond.
 Sugar Sesame Almond Cinnamon
 Cacao Poppy seed Blueberry Black pepper
 Trend Colours

Customisation options foot

Open toes
 Closed toes

With opening at little toe (5)
 Slanted opening (standard)
 Straight opening

To be worn in combination with compression stocking
 Compression stocking with knitted-on toe portion
 Seams on the outside



Special requests (in block letters): Please send a new order form

.....

.....

.....

.....

.....

.....

.....

¹ Due to the principle of data minimisation under data protection law, we recommend that you only send in a photo in the case of difficult anatomical features.
² If the patient name is provided, the company placing the order confirms that it has obtained lawful consent in advance to forward and process the data of the affected patient.