



FS3000 ORTHOTIC KIT, SIZE SMALL (FS3000-KT-S)
(SHOE SIZE 3 US -> 9 US Men)
ASSEMBLY INSTRUCTIONS



SUGGESTED USEFULL TOOLS

- POWERED DRILL (VARIABLE SPEED)
- DRILL BITS 7/64", 1/4" (2.7MM , 6.35MM)
- MEASURING CALIPER 300MM OR MEASURING TAPE
- ALLEN KEY 1.5MM (INCLUDED)
- METAL HAND SAW
- BENCH VISE WITH SOFT PAD JAW (PLASTIC OR LEATHER)
- TRAUTMAN SANDER AND CARVER
- PROPANE BLOW TORCH OR HEAT GUN (IF THERMOFORMING REQUIRED)
- SNAP OFF BLADE KNIFE (OLFA, X-ACTO)
- CUTTER PLIER
- PROTECTIVE SAFETY GEAR:** SAFETY GOGGLES, GLOVES, DUST MASK
& ALL OTHER PROTECTION REQUIRED BY YOUR HEALTH & SAFETY WORK POLICY)



WARNING: NEVER ASSEMBLE, MODIFY, REPAIR, UNSASSEMBLE, CORRECT, CUT, FOLD, PIERCE, SAND, HEAT WHEN A PATIENT WEARS THE ORTHOSIS. ALWAYS REMOVE THE ORTHOSIS FROM THE PATIENT AND TAKE OFF THE SHOE BEFORE TRYING TO PERFORM ANY WORK.

Always use safe work methods and follow your local health and safety policy. Inspect all tools for any damage prior to each use and discard immediately if damage is suspected. Always read and follow the operating and safety instructions in the power tool owner's manual and the instructions. Always wear safety goggles to protect your eyes, gloves to protect your hands, and wear other appropriate safety items for protection.

Keep bystanders, children and visitors away while operating a power tool. Stay alert, watch what you are doing and use common sense when operating a power tool. Do not use tools while tired or under the influence of drugs, alcohol or medication. Do not wear any loose clothing or jewelry that can catch in the spinning rotating tools. Tie back long hair or wear appropriate hair protection to prevent hair from getting caught in moving parts of equipment.

For electric powered tools, check the handle and body casing of the tool for cracks or other damage. Inspect cords for defects: check the power cord for cracking, fraying, and other signs of wear or faults in the cord insulation. Do not use electric tools in wet conditions or damp locations. Always unplug the power tool before changing drill bits. Always inspect the drill bits prior to use, and discard immediately if damage is suspected. Always drill straight and SLOWLY. Make sure your hands or any body parts stay clear from the backside of the material being drilled. Do not use a side-to-side movement when drilling. Always maintain a firm footing and control of the tool.

Blowtorch: When using a blowtorch of any kind, you should always refer to the manufacturer's instructions before operating, lighting or using. Make sure you put your Personal Protective Equipment on before turning the blowtorch on. Review instructions and cautions periodically to maintain awareness. Always use in a well-ventilated area. Keep torch out of reach of anyone who has not read instructions. Do not point torch towards face, other persons or flammable objects. Never attempt to use torch as a cigarette lighter. Disconnect cylinder when not in use. During heating, avoid holding it horizontally or upside down and try to maintain its position as close to vertical as possible. Never attempt to modify the torch construction and never use unapproved accessories or fuels.

Treat the torch as you would with any fine tool or instrument. Do not use a leaking, damaged or malfunctioning torch when brazing, always wear safety goggles. Work only in well-ventilated. Always wear protective gloves and use proper tools to handle hot work. Be aware that the tip of the torch can get extremely hot during use. Take precautions to protect yourself and others from accidental burns. Never use the torch on or near combustible material. Always make certain the torch is placed on a level surface when connected to the fuel cylinder to reduce the risk of accidental tip over. Be sure the torch is not pointed in a direction that could cause nearby objects to ignite when torch is set down. Always have a fire extinguisher and a bucket of water near the torch and work area. Do not place them in the flame path or in a location where you could not reach them should a fire break out.

Metal hand saw:

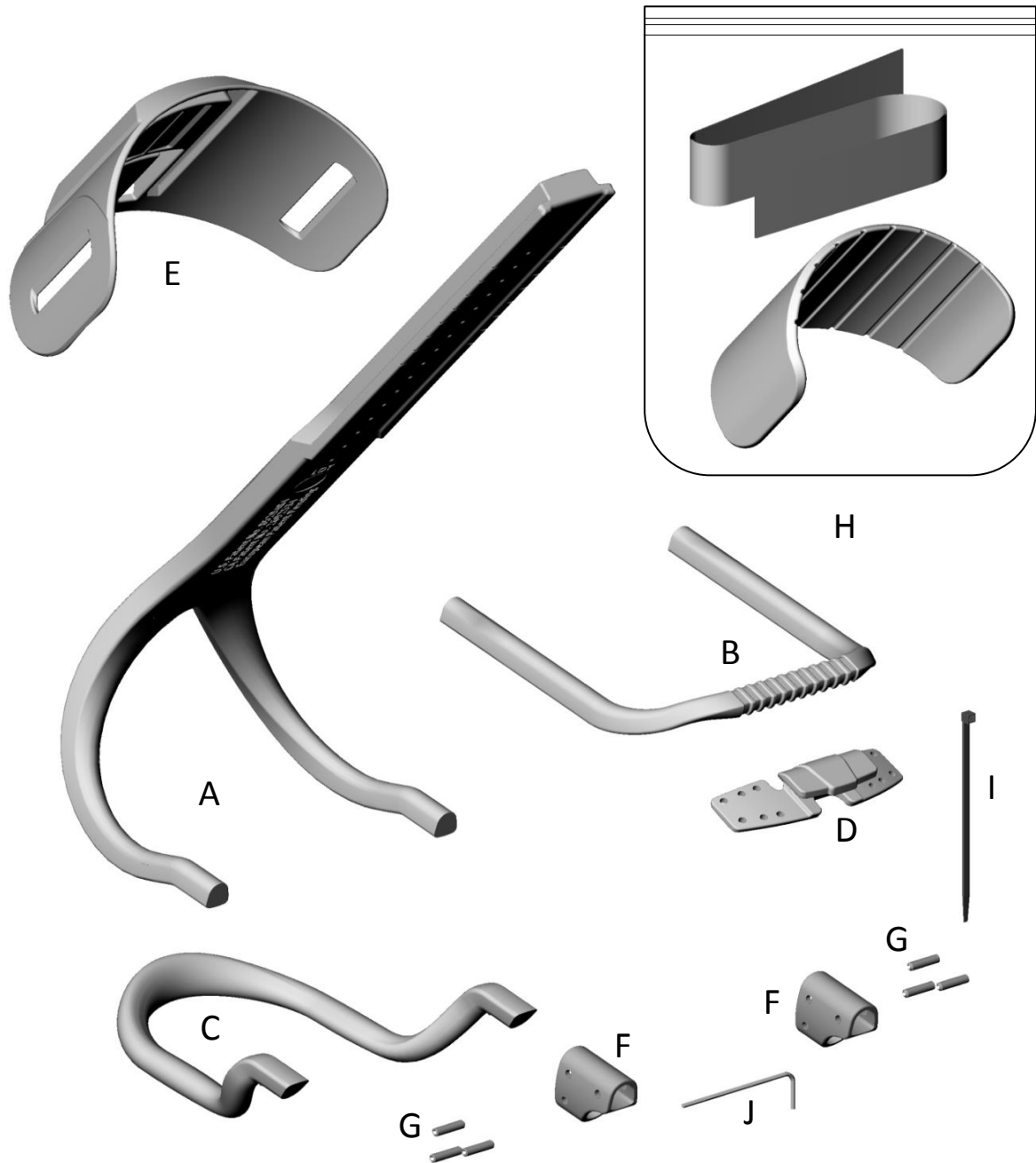
When using a hand saw, protect your face and eyes, you must always wear a safety mask and eye protection. Inspect it thoroughly for any signs of damage. If the handle is loose, or the blade is bent or broken, or if there are missing blade teeth, do not use the hand saw. Never test the sharpness of a hand saw with your hand or any other part of your body. Doing so may result in cuts and injuries. To prevent buckling and rebound of the hand saw, you must always start off slowly. Use long, even strokes to start cutting the material. To avoid serious injuries, it is crucial to hold the stock firmly in place. Use a vise or a clamp for this purpose. Exercise caution if you need to use sharp cutting tools or knife.

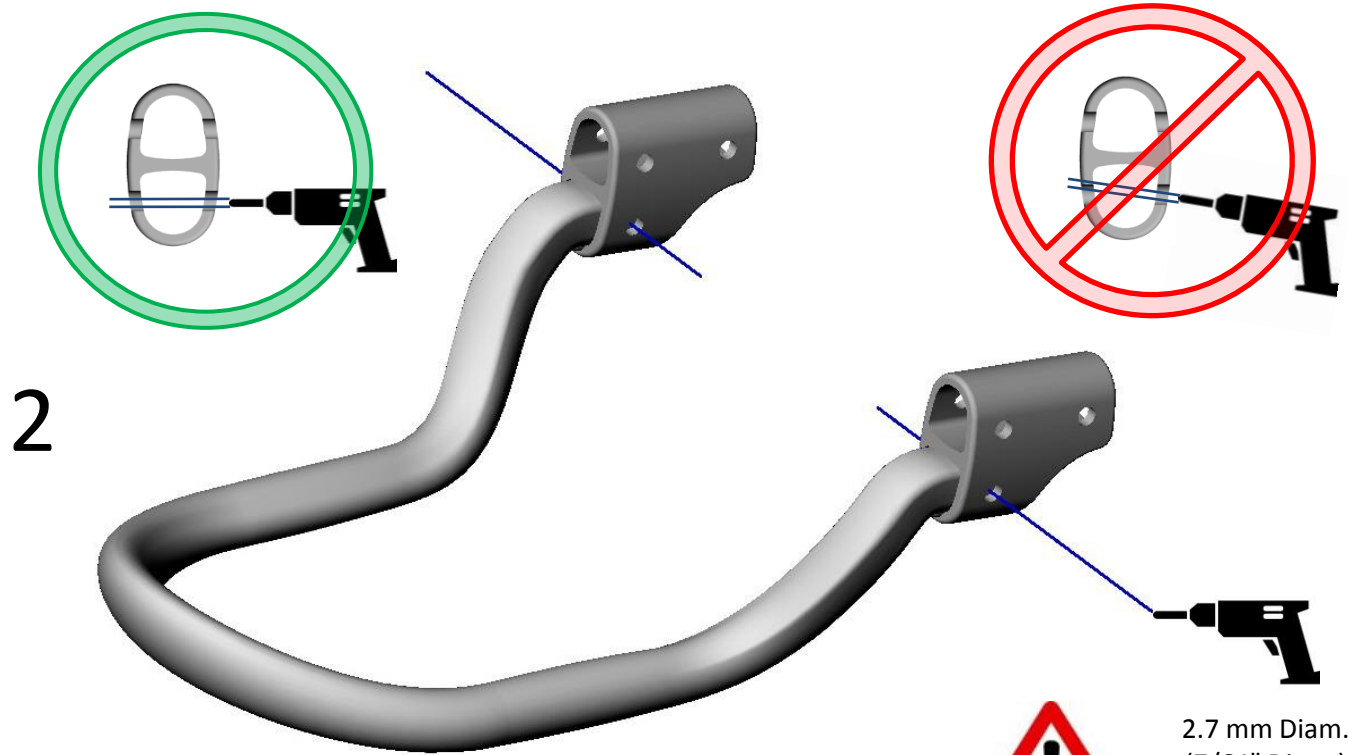
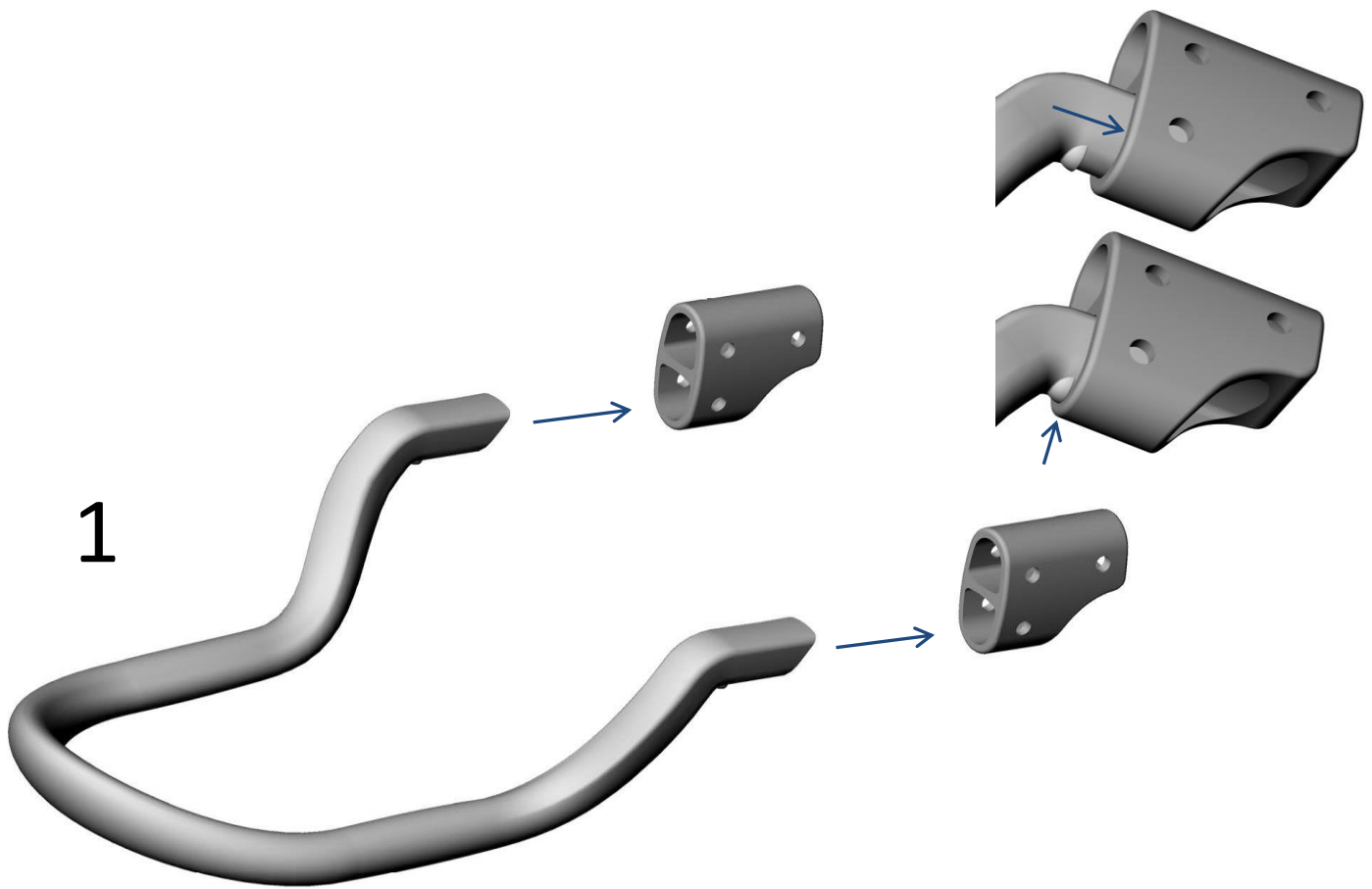
US Patent No: 8529484 - CA Patent No 2,692,534 - Patents pending in European Countries
Turbomed Orthotics and Turbomed Orthotics Logo are registered trademarks of Turbomed Orthotics Inc.



PARTS LIST - ORTHOTIC KIT, SIZE SMALL (FS3000-KT-S)

Item	Qty	PRODUCT CODE	DESCRIPTION
A	1	FS3000-Y00-S	MAIN POSTERIOR SECTION «Y» SHAPE, SIZE SMALL
B	1	FS3000-U00-S	FRONT SHOE SECTION «U» SHAPE, SIZE SMALL
C	1	FS3000-W00-S	REAR HEEL SECTION SUPPORT, SIZE SMALL
D	5	FS3000-L00-S	LACE CLIP ATTACHMENT, SIZE SMALL
E	1	FS3000-C00-S	CALF SECTION, SIZE SMALL
F	2	FS3000-B00-S	ALUMINUM JUNCTION BLOC, SIZE SMALL (26mm long.)
G	8	FS3000-SET-12	M3X12 SET SCREW 18-8 STAINLESS STEEL, 12MM LG
H	1	FS3000-K00-SML	COMPLETE STRAP & CUSHIONS KIT, SIZE SMALL-MEDIUM-LARGE
I	20	FS3000-ZZZ-001	TIE-WRAP BLACK 18 LBS/4"LONG
J	1	FS3000-ZZZ-002	HIGH-TORQUE HEX-L-KEY 1.5MM FOR M3 SET SCREW

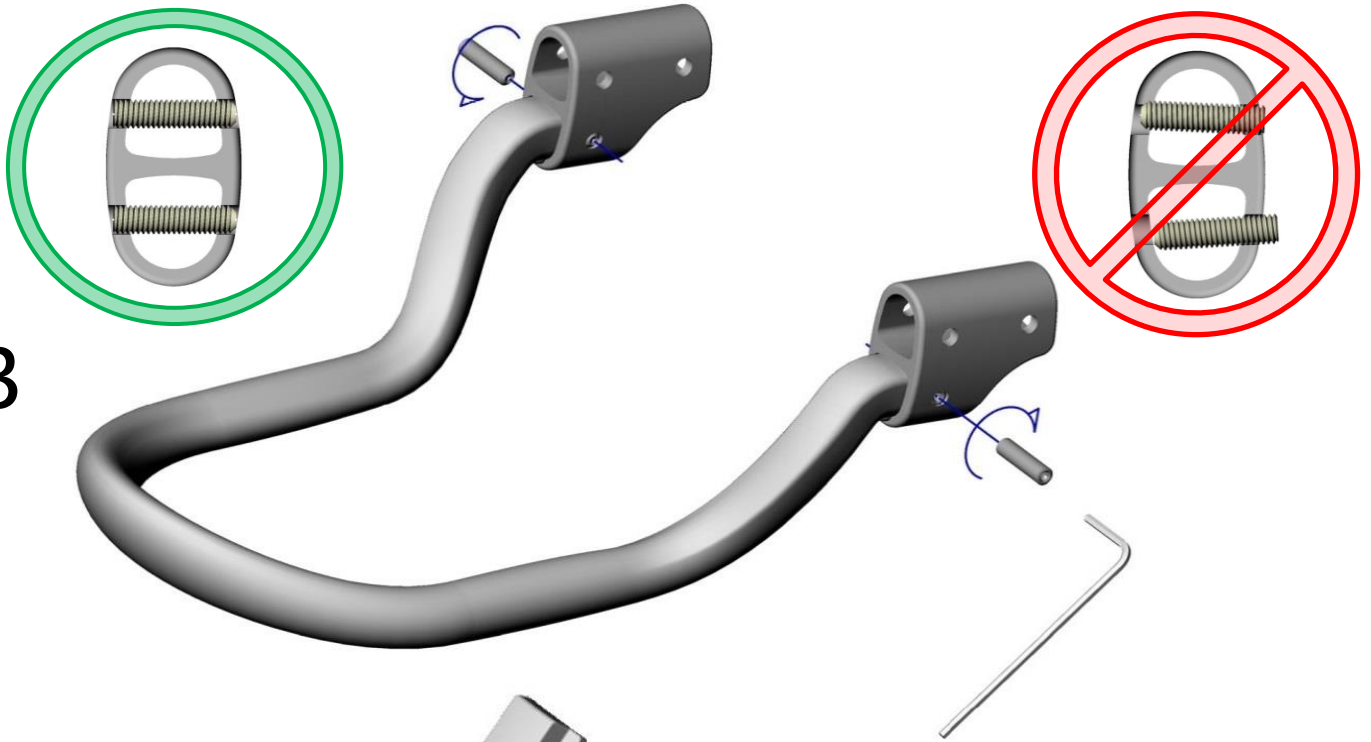




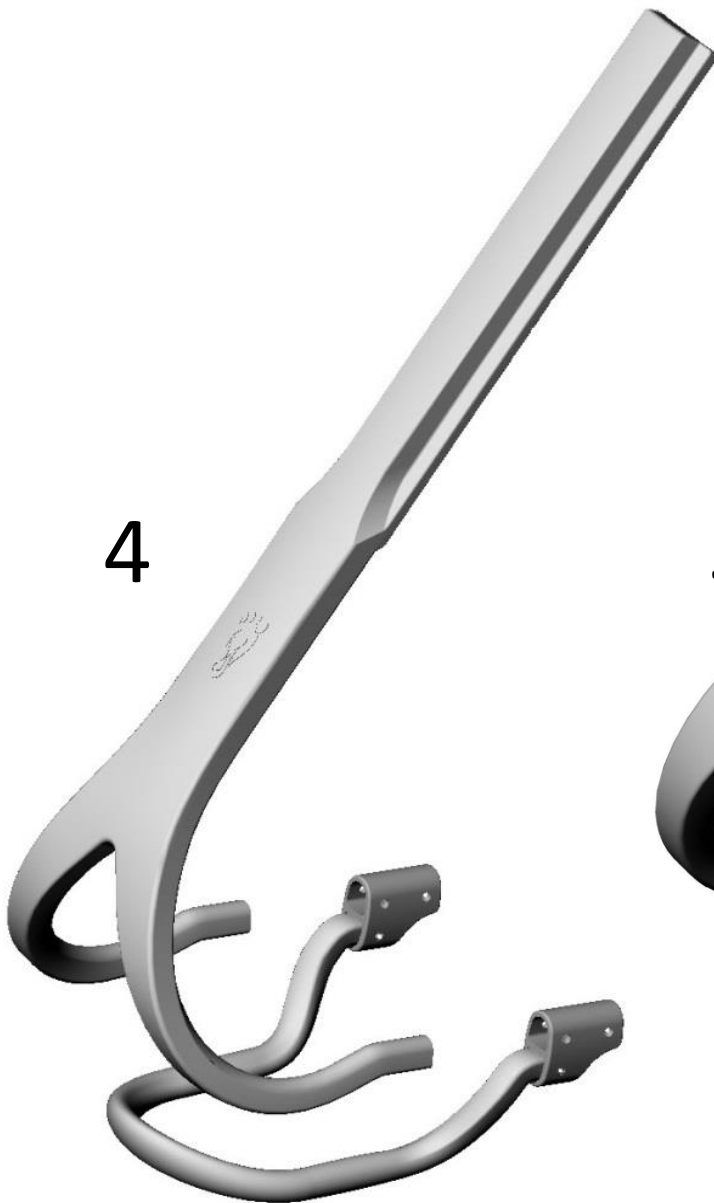
2.7 mm Diam.
(7/64" Diam.)
!! DRILL VERY



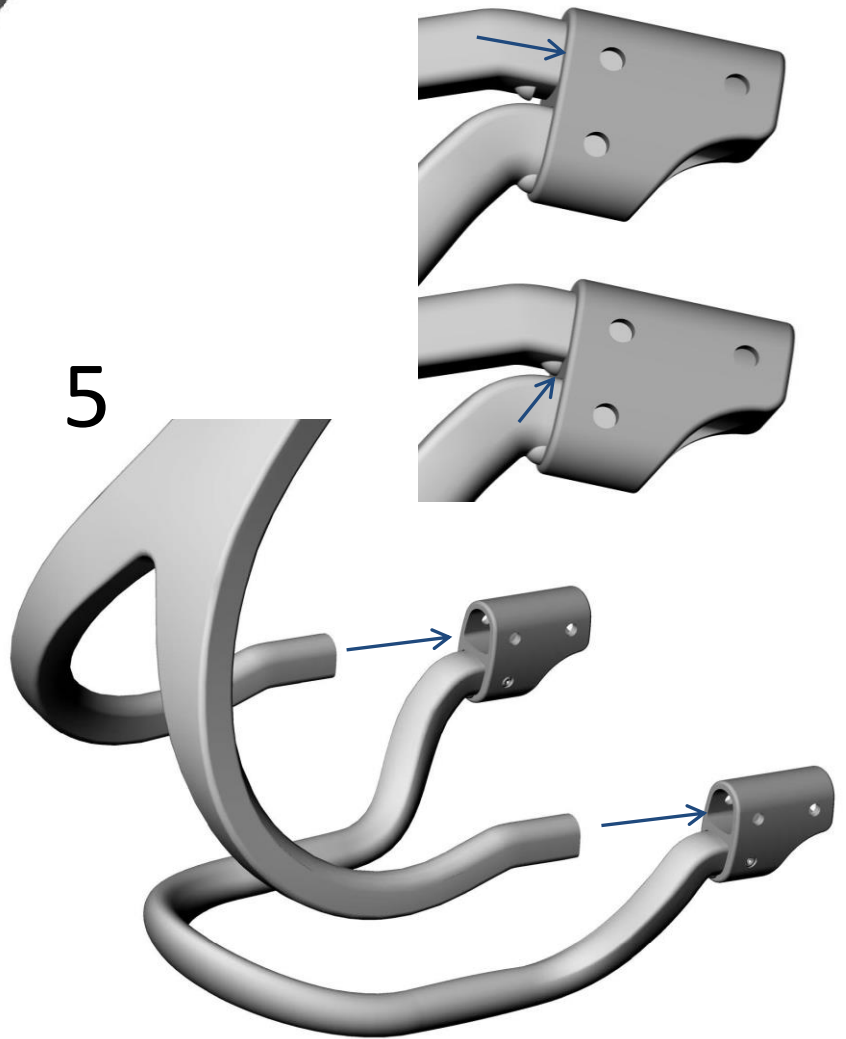
3



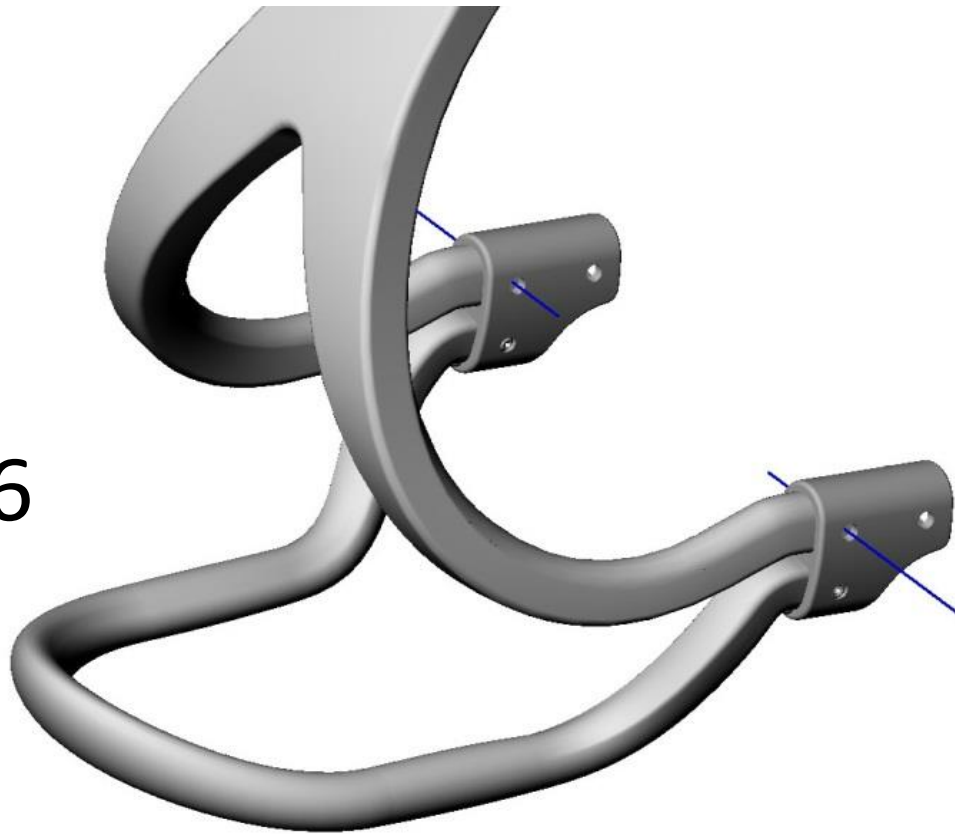
4



5



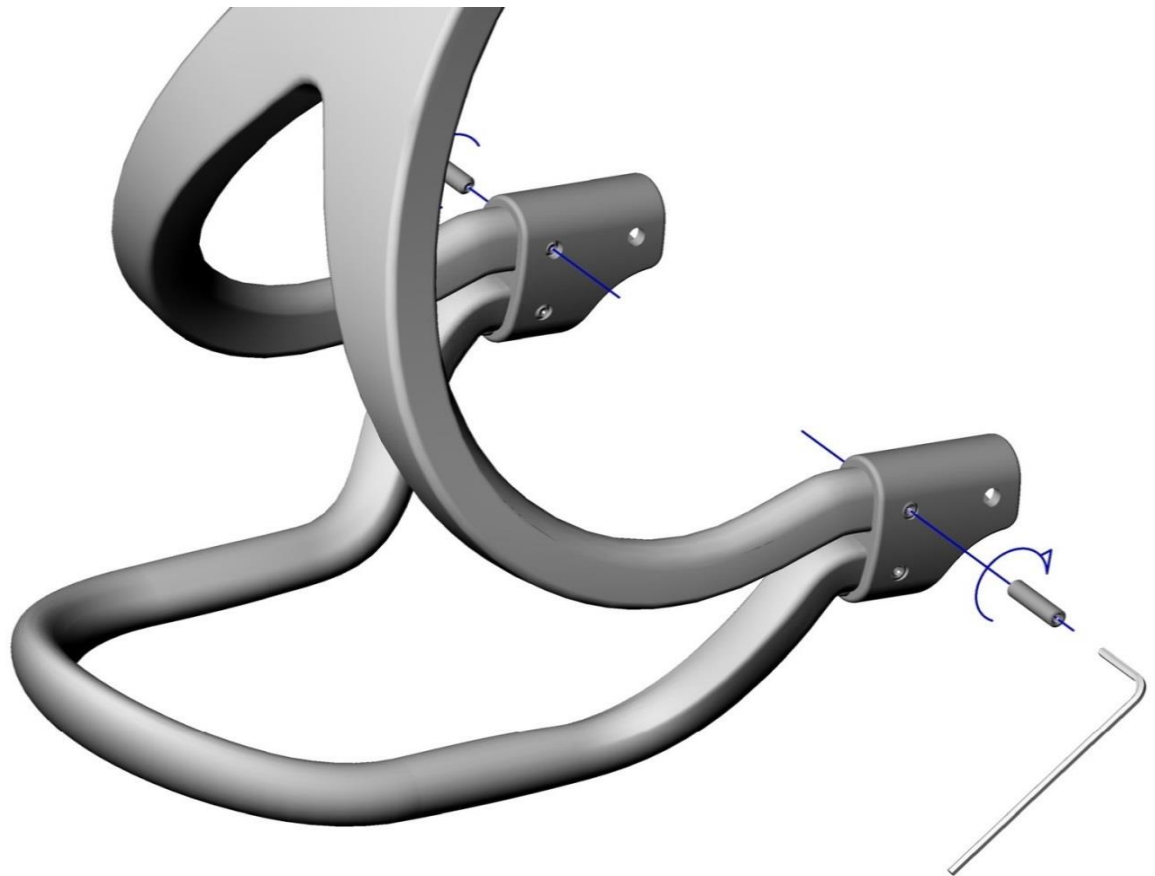
6



2.7 mm Diam.
(7/64" Diam.)!!

**!! DRILL VERY
SLOWLY !!**

7



FS3000 SMALL KIT - LENGTH ADJUSTEMENT CHART

SHOE SIZE	US-M	2.5	3	3.5	4	4.5	5	5.5	6	6.5	7	7.5	8	8.5	9
SHOE SIZE	US-W	3.5	4	4.5	5	5.5	6	6.5	7	7.5	8	8.5	9	9.5	10
FINAL LENGTH	L (mm)	160	164	168	171	175	180	183	187	190	193	196	199	203	205
CUTTING REF	X	14	18	22	25	30	34	38	42	46	49	52	55	58	61

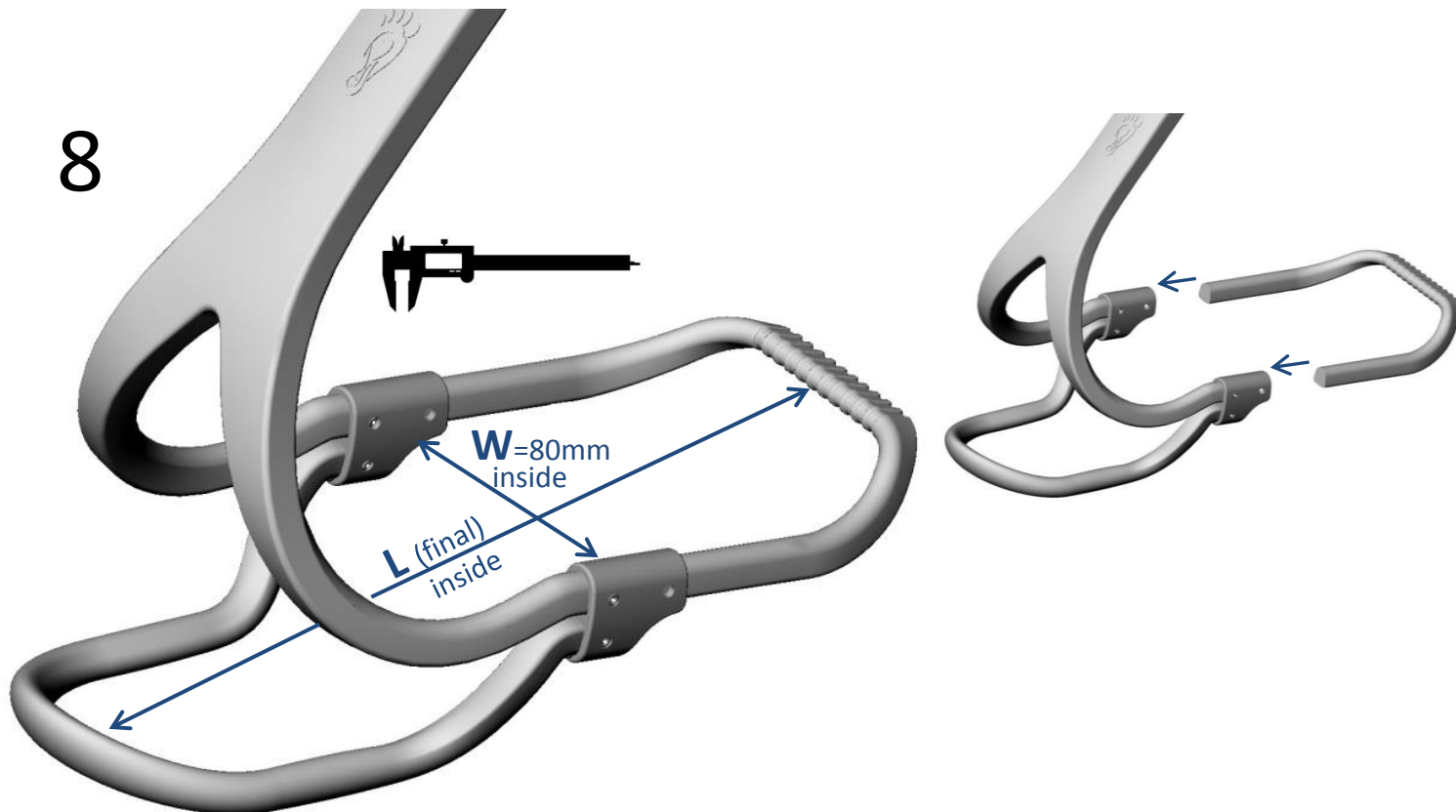


"X" ACCURATE FOR W= 80mm (ORIGINAL BRACE & ASSESSMENT TOOL)

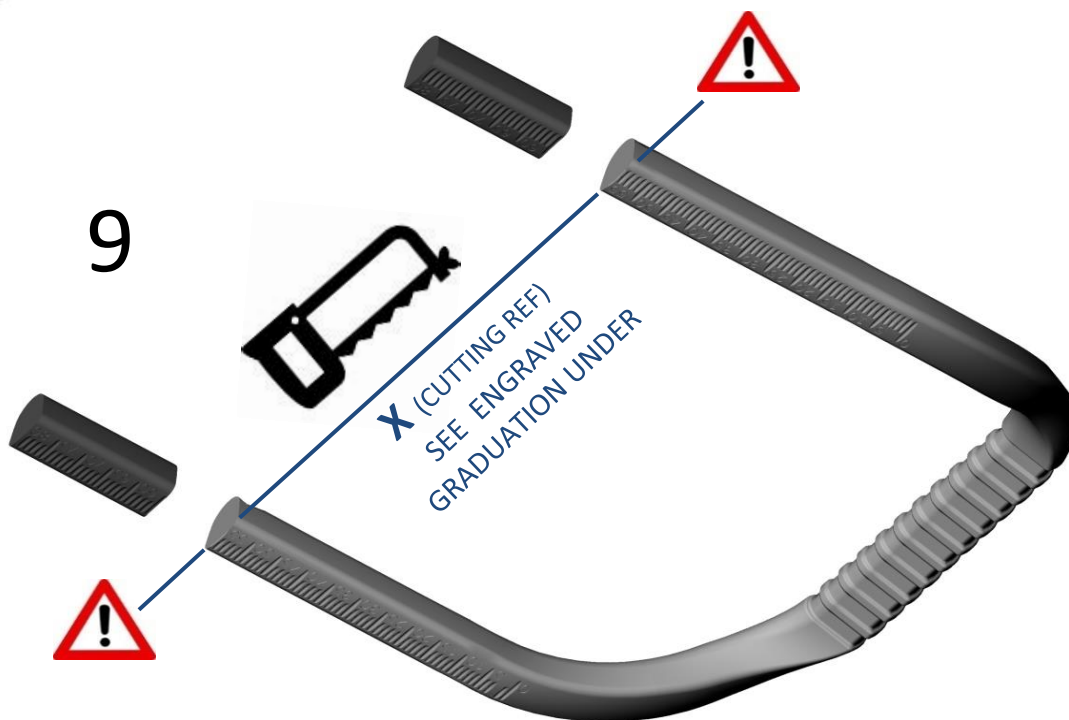
ADD 2-4 mm TO ENLARGE BRACE WIDTH ("W")

SUBSTRACT 2-4 mm TO REDUCE BRACE WIDTH ("W")

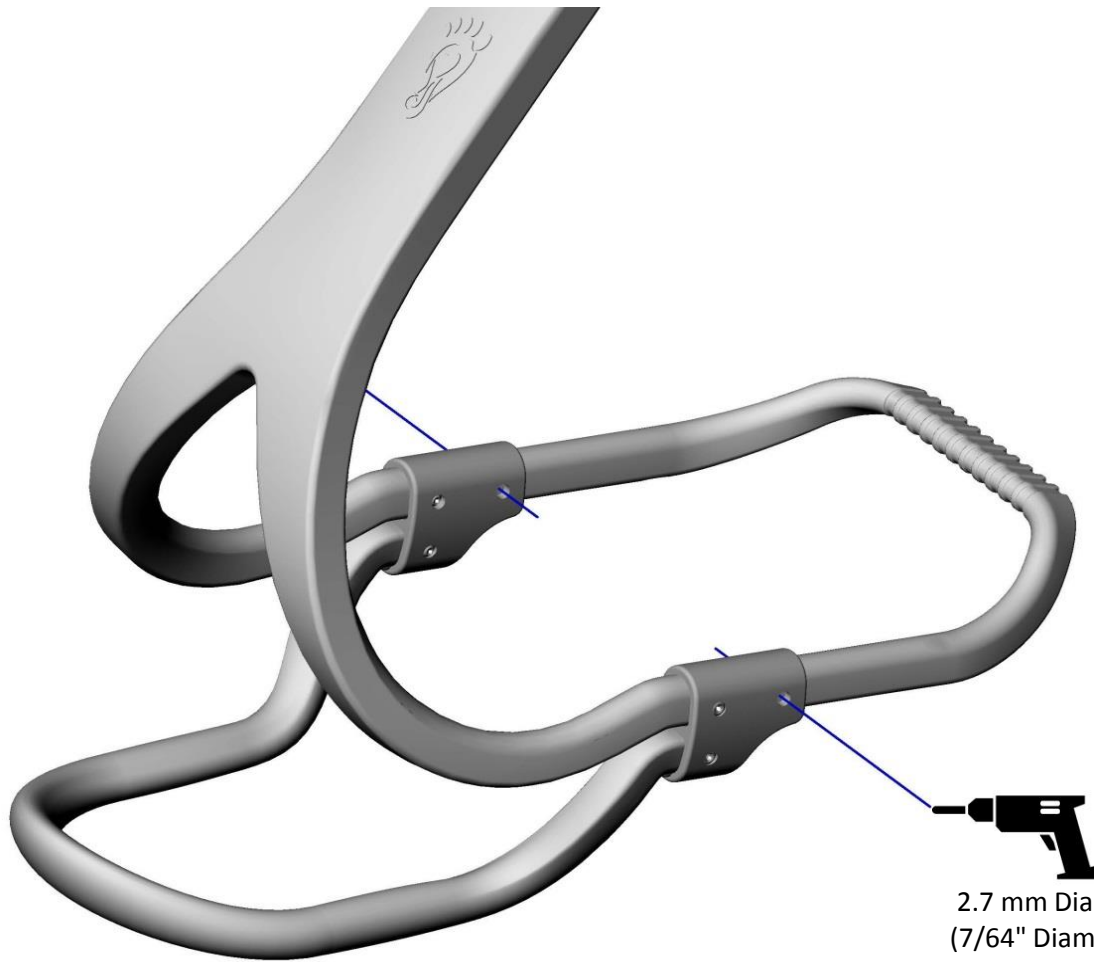
8



9

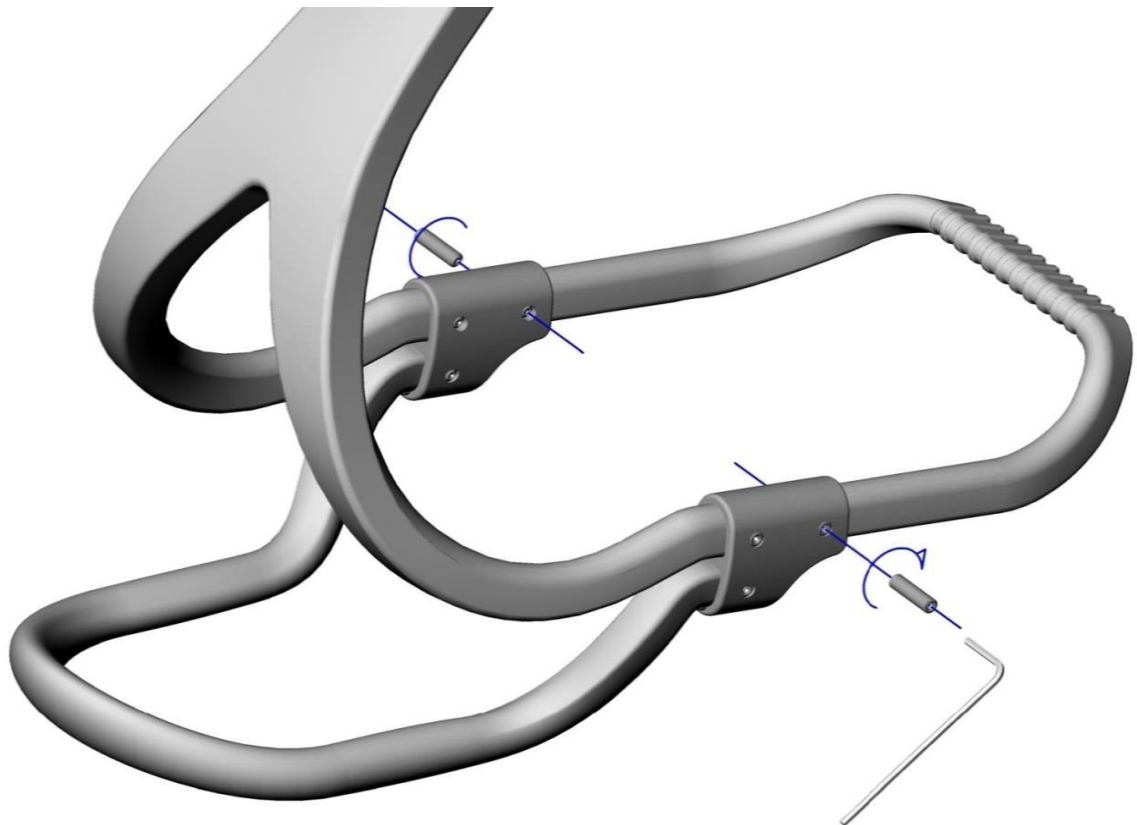


10



2.7 mm Diam.
(7/64" Diam.)!!
DRILL VERY SLOWLY !!

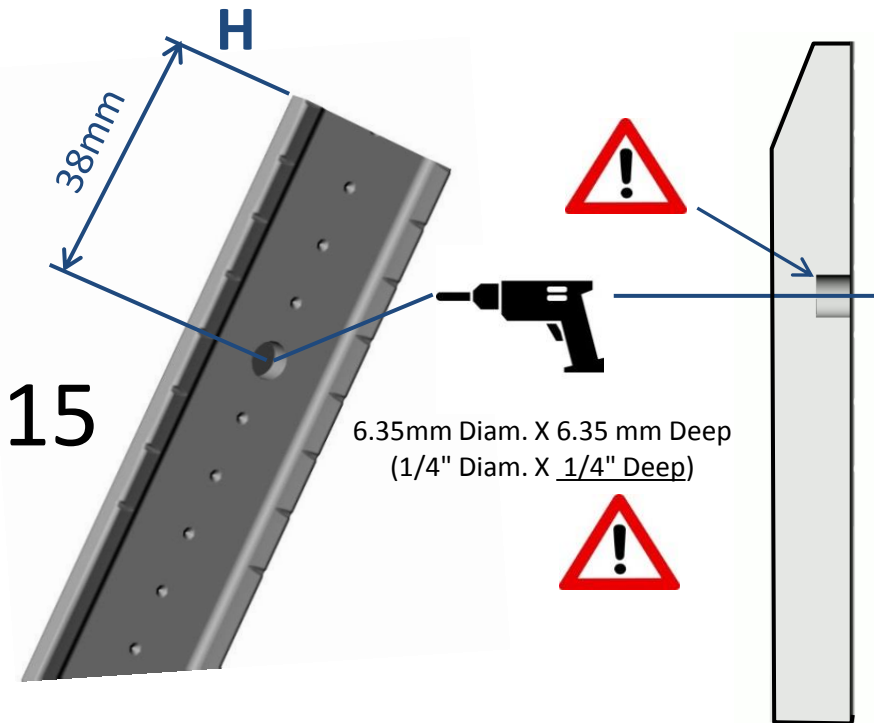
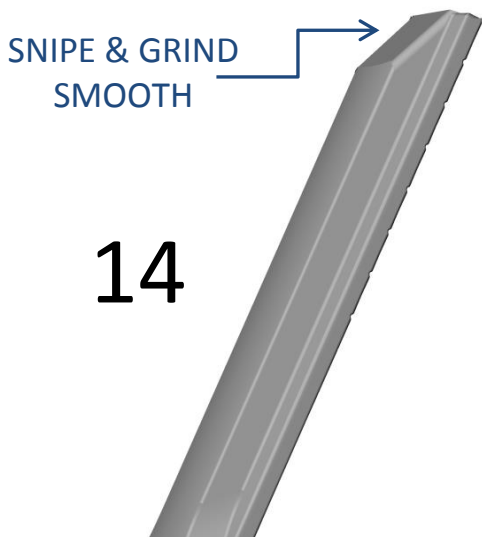
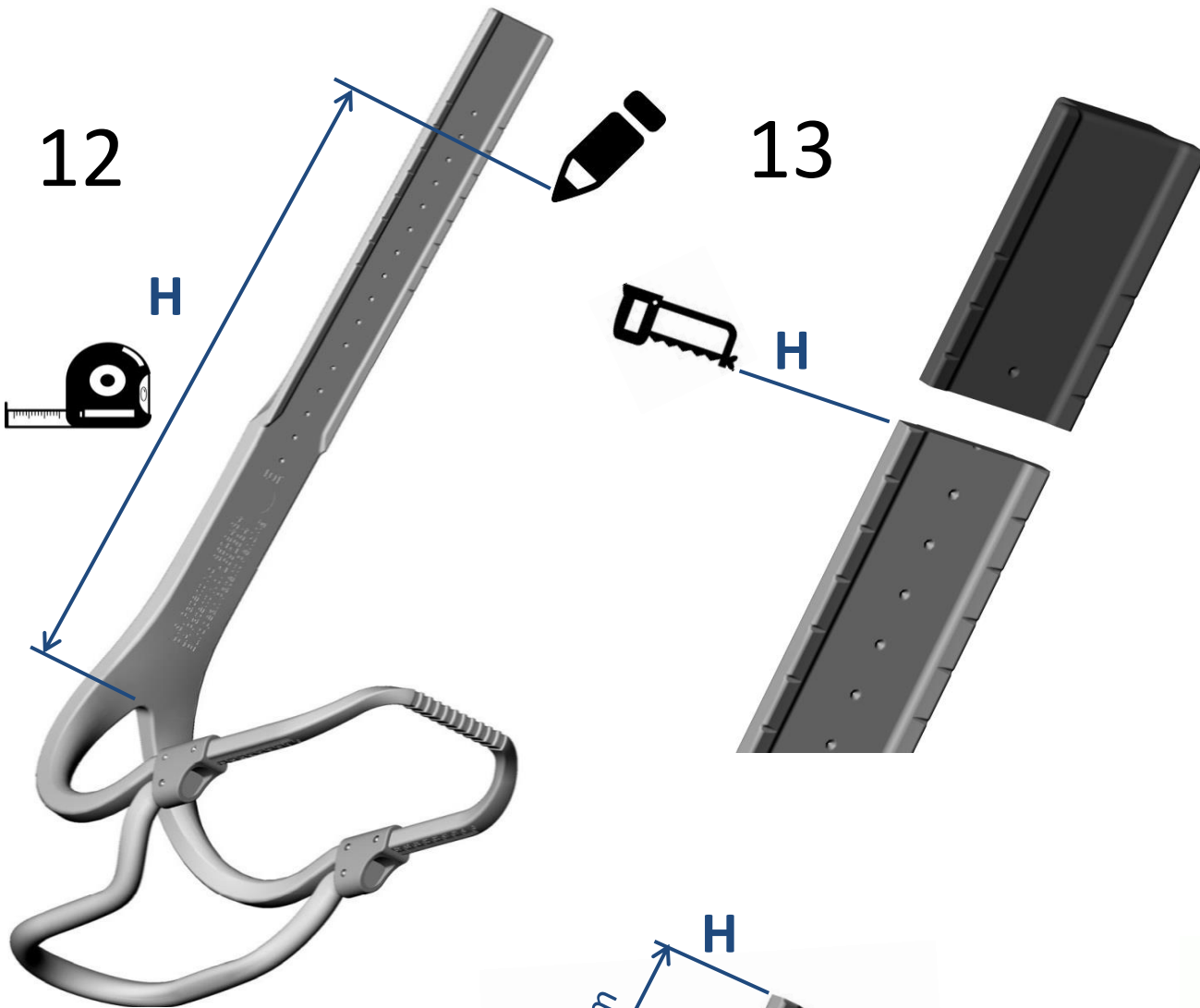
11

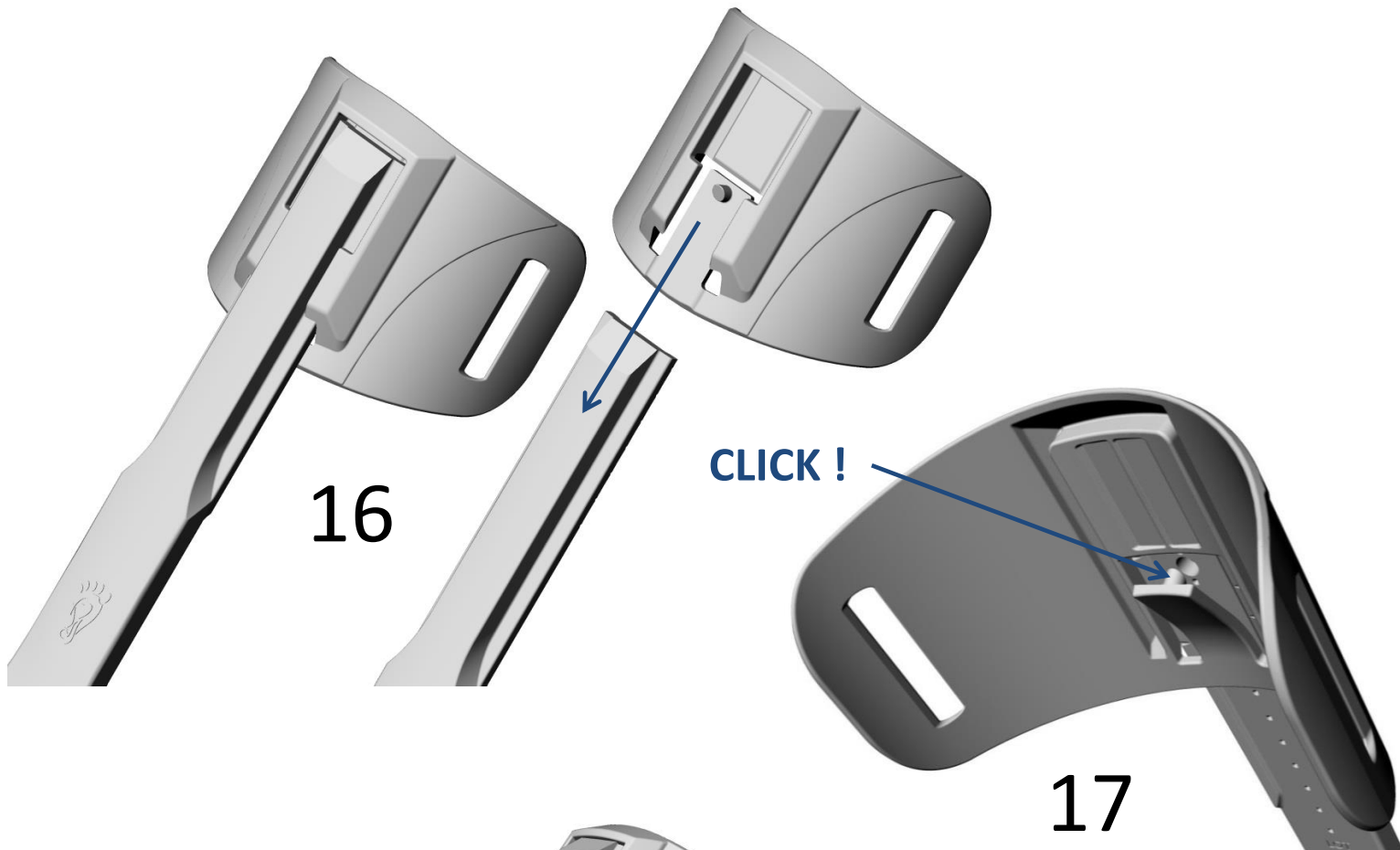


FS3000 SMALL KIT - CALF SUPPORT ADJUSTEMENT CHART

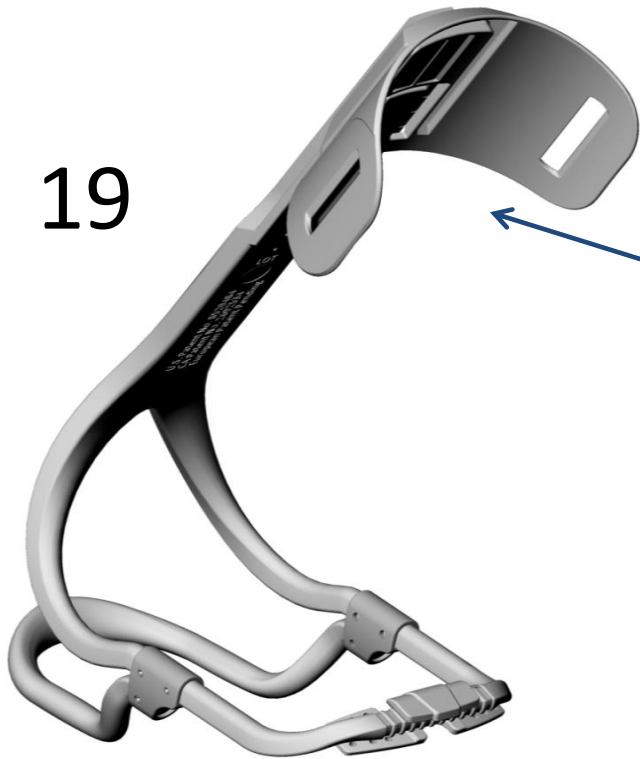
SHOE SIZE	US-M	2.5	3	3.5	4	4.5	5	5.5	6	6.5	7	7.5	8	8.5	9
SHOE SIZE	US-W	3.5	4	4.5	5	5.5	6	6.5	7	7.5	8	8.5	9	9.5	10
CALF HEIGHT	H (mm)	240	240	240	245	245	250	250	255	255	260	265	265	275	275

***SUGGESTED HEIGHT (Y) PROPORTIONAL TO SHOE SIZE - WE SUGGEST TO TAKE MEASUREMENTS ON PATIENT ***

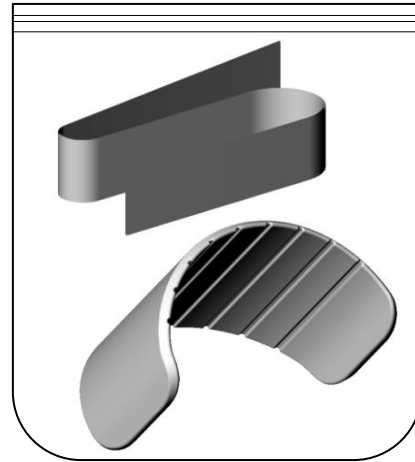




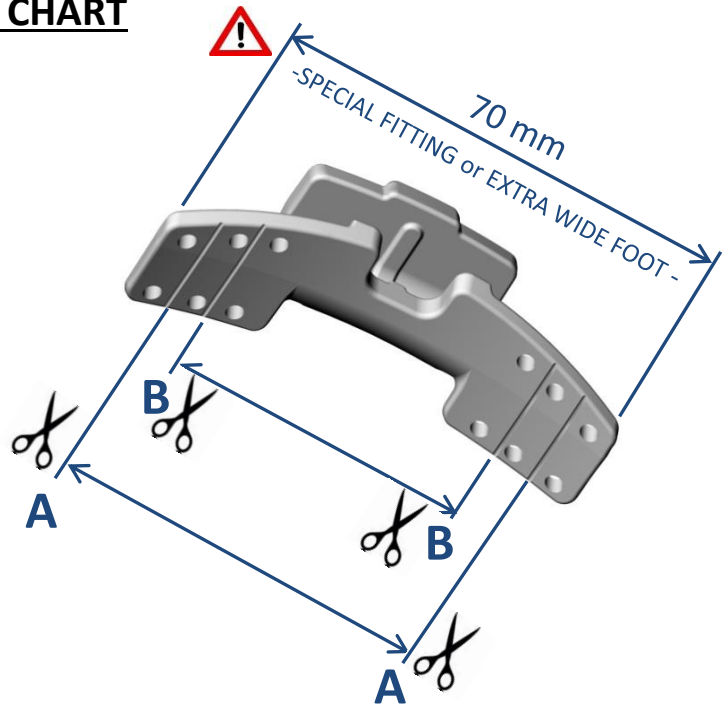
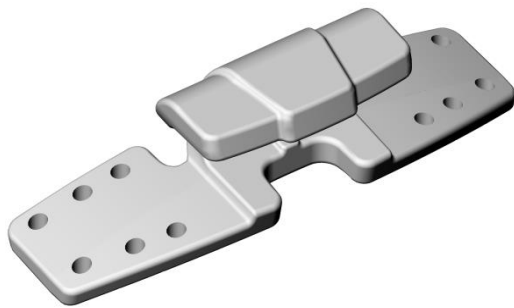
19



COMPLETE STRAP & CUSHIONS KIT
(INSTRUCTIONS IN THE BAG)



LACE CLIP CUTTING CHART



GRIND SMOOTH ALL CORNERS AFTER CUTTING

FOR FINAL INSTALLATION ON FOOTWEAR , SEE LACE CLIP FITTING INSTRUCTION DOCUMENT

FS3000 SMALL KIT - LACE CLIP CUTTING CHART														
SHOE SIZE US-M	2.5	3	3.5	4	4.5	5	5.5	6	6.5	7	7.5	8	8.5	9
SHOE SIZE US-W	3.5	4	4.5	5	5.5	6	6.5	7	7.5	8	8.5	9	9.5	10
CUTTING POSITION	B	B	B	B	B	B	B	A	A	A	A	A	A	A



****SUGGESTED WIDTH TO BE VALIDATED ON FOOTWEAR****

DO NOT CUT UNTIL FINAL FITTING ON FOOTWEAR

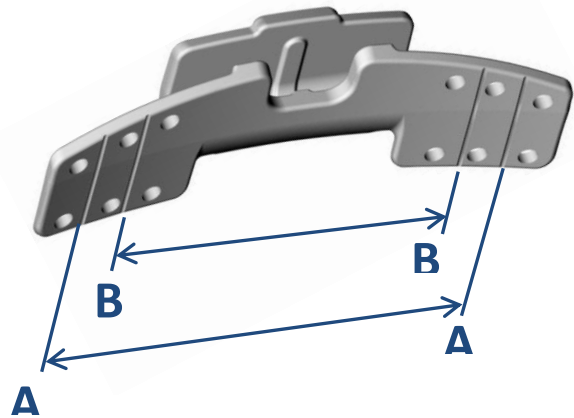
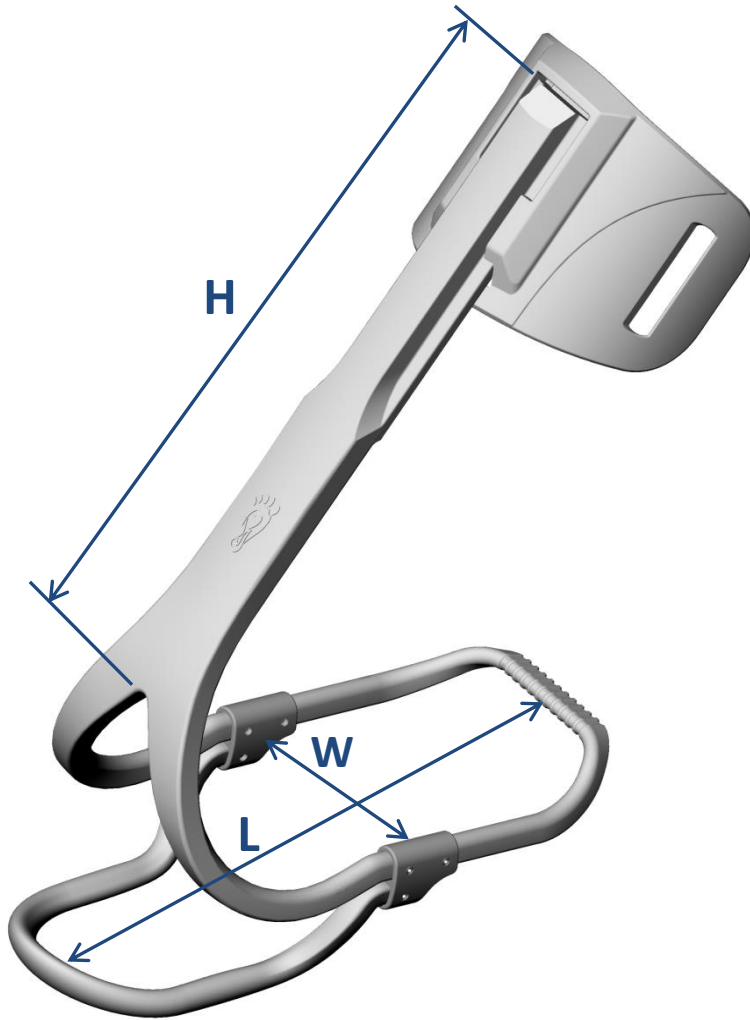


FS3000 SMALL KIT - SUMMARY ASSEMBLY DIMENSIONS

SHOE SIZE US-M		2.5	3	3.5	4	4.5	5	5.5	6	6.5	7	7.5	8	8.5	9
SHOE SIZE US-W		3.5	4	4.5	5	5.5	6	6.5	7	7.5	8	8.5	9	9.5	10
FINAL LENGTH	L (mm)	160	164	168	171	175	180	183	187	190	193	196	199	203	205
CALF HEIGHT	H (mm)	240	240	240	245	245	250	250	255	255	260	265	59	64	64
WIDTH	W(mm)	78	78	80	80	80	80	82	82	84	84	84	86	88	88



BRACE WIDTH=80mm W CAN BE AJUSTED BY THERMOFORMING
 ADD OR SUBSTRACT 2-4mm AT INITIAL LENGTH TO ACHIEVE FINAL FIT LENGTH "L"



FS3000 SMALL KIT - LACE CLIP CUTTING CHART

SHOE SIZE US-M		2.5	3	3.5	4	4.5	5	5.5	6	6.5	7	7.5	8	8.5	9
SHOE SIZE US-W		3.5	4	4.5	5	5.5	6	6.5	7	7.5	8	8.5	9	9.5	10
CUTTING POSITION		B	B	B	B	B	B	B	A	A	A	A	A	A	A



****SUGGESTED WIDTH TO BE VALIDATED ON FOOTWEAR****
 DO NOT CUT UNTIL FINAL FITTING ON FOOTWEAR

