

Linx:

A walking experience
closer to nature

WITH **PRT**[®]
Performance Response Technology[®]



Lower Limb
Prosthetic Catalogue

Issue 21

Blatchford

Orion³: What moves you.

WITH **PRT**
Performance Response Technology



Contents

Introduction	4
Activity Level Guide	5-7
Integrated Limb System	8-9
Knees	12-31
Feet and Ankles	32-75
Junior	76-85
Adapters	86-101
Liners	102-107
Cosmesis	108-113
Socket Technology	114-115
Warranty Information	116
Global Warranty Statement	117

Corporate Overview

Blatchford is a multi-award winning manufacturer of some of the world's most advanced prosthetic technology. We combine clinical expertise and pioneering innovation to redefine mobility and our evidence-based approach prioritises the wellbeing and long-term health of users.

Founded in 1890, we have a long history of firsts and continue to be widely recognised for our commitment to innovation in the industry.

We are proud to have created the very first commercially available hydraulic ankle, the first microprocessor-controlled hydraulic ankle and the world's first fully integrated limb system. Our pioneering technology has also been the recipient of many prestigious awards including the Queen's Award, the MacRobert Award, the German Design Award and the Medical Design Excellence Award.

Our holistic approach to product design, centres around the whole person and not just their mobility limitation. This ensures we develop solutions that not only help people to get the most out of every day, but to do so in a way that cares for their long-term health and wellbeing. Through extensive collaboration, we also work to provide evidence and inform best practice in the industry to give healthcare providers the confidence to prescribe and find solutions that deliver results.



Activity Levels

Prescription Activity Level Guide



Has the ability or potential to use a prosthesis for transfers or ambulation on level surfaces at fixed cadence. Typical of the limited and unlimited household ambulator.



Has the ability or potential for ambulation with the ability to traverse low level environmental barriers such as curbs, stairs, or uneven surfaces. Typical of the limited community ambulator.



Has the ability or potential for ambulation with variable cadence. Typical of the community ambulator who has the ability to traverse most environmental barriers and may have vocational, therapeutic, or exercise activity that demands prosthetic utilization beyond simple locomotion.



Has the ability or potential for prosthetic ambulation that exceeds basic ambulation skills, exhibiting high impact, stress, or energy levels. Typical of the prosthetic demands of the child, active adult, or athlete.

Prescription Impact Level Guide

- | | |
|-----------------|---|
| Low | Daily walking and occasional sports such as golf and hiking |
| Moderate | Aggressive walking, frequent or daily sports such as jogging |
| High | Daily activities such as distance running, climbing, lifting and carrying heavy objects for vocational purposes |

Notes

1. The maximum user weight/activity guidelines provided on our catalogue product pages and Clinician's Manuals give the ideal functional prescription, this may vary by region or reimbursement system. Our instructions for use provide structural safety levels which may differ.
2. The weight limit on the complete prosthesis is determined by its lowest rated component.
3. The weight limit applies to all products unless stated otherwise.
4. Before assembly always refer to the appropriate technical information.
5. See Blatchford website for latest product information.

Activity Levels

Product	Level 1	Level 2	Level 3	Level 4
---------	---------	---------	---------	---------

Integrated Limb System				
Linx				

Product	Level 1	Level 2	Level 3	Level 4
---------	---------	---------	---------	---------

Microprocessor Knees				
Orion ³				

Smart IP				
----------	--	--	--	--

Hydraulic Knees				
-----------------	--	--	--	--

KX07				
------	--	--	--	--

Mercury				
---------	--	--	--	--

Locking and Free Option Knees				
-------------------------------	--	--	--	--

ESK ⁺				
------------------	--	--	--	--

ESK ⁺ MKL				
----------------------	--	--	--	--

BMK2				
------	--	--	--	--

Compact SAKL				
--------------	--	--	--	--

Aqualimb ^{TF}				
------------------------	--	--	--	--

Product	Level 1	Level 2	Level 3	Level 4
---------	---------	---------	---------	---------

Junior				
Mini Blade ^{XT}				

Child's 4-bar Knee				
--------------------	--	--	--	--

Activity Levels

Product	Level 1	Level 2	Level 3	Level 4
---------	---------	---------	---------	---------

Feet With Dynamic Foot Springs				
Elan				

Elan ^{IC}				
--------------------	--	--	--	--

Echelon ^{VAC}				
------------------------	--	--	--	--

Echelon ^{VT}				
-----------------------	--	--	--	--

Echelon				
---------	--	--	--	--

Echelon ^{ER}				
-----------------------	--	--	--	--

Elite ²				
--------------------	--	--	--	--

Elite ^{VT}				
---------------------	--	--	--	--

Epirus				
--------	--	--	--	--

Esprit				
--------	--	--	--	--

Elite Blade				
-------------	--	--	--	--

Elite Blade ^{VT}				
---------------------------	--	--	--	--

Blade ^{XT}				
---------------------	--	--	--	--

Javelin				
---------	--	--	--	--

Feet With Resilient/Cushioned Ankle Function				
Avalon ^{K2}				

AvalonK2 ^{VAC}				
-------------------------	--	--	--	--

Navigator				
-----------	--	--	--	--

Multiflex <small>Standard/Slim</small>				
--	--	--	--	--

SuperSACH				
-----------	--	--	--	--

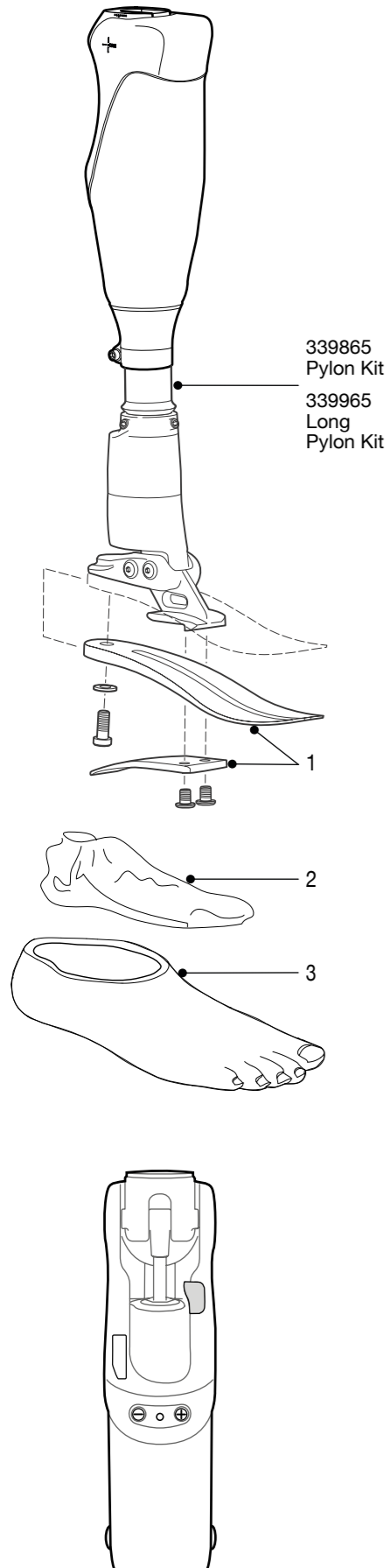
Aqualimb ^{TT}				
------------------------	--	--	--	--



Integrated Limb System



Linx Schematics



1 Spring Kits:

Foot Size	Foot Size	Foot Size	Foot Size
22-24	25-26	27-28	29-30
Set 1 - 539801S	Set 1 - 539810S	Set 1 - 539819S	Set 1 - 539828S
Set 2 - 539802S	Set 2 - 539811S	Set 2 - 539820S	Set 2 - 539829S
Set 3 - 539803S	Set 3 - 539812S	Set 3 - 539821S	Set 3 - 539830S
Set 4 - 539804S	Set 4 - 539813S	Set 4 - 539822S	Set 4 - 539831S
Set 5 - 539805S	Set 5 - 539814S	Set 5 - 539823S	Set 5 - 539832S
Set 6 - 539806S	Set 6 - 539815S	Set 6 - 539824S	Set 6 - 539833S
Set 7 - 539807S	Set 7 - 539816S	Set 7 - 539825S	Set 7 - 539834S
Set 8 - 539808S	Set 8 - 539817S	Set 8 - 539826S	Set 8 - 539835S

2 Glide Sock: 22-26 - 531011, 27-30 - 532811

3 Foot shells:*

Foot size Left/Right	Narrow	Wide
22L	539038S	-
22R	539039S	-
23L	539040S	-
23R	539041S	-
24L	539042S	-
24R	539043S	-
25L	539044SN	539044SW
25R	539045SN	539045SW
26L	539046SN	539046SW
26R	539047SN	539047SW
27L	539048SN	539048SW
27R	539049SN	539049SW
28L	539050SN	539050SW
28R	539051SN	539051SW
29L	-	539052S
29R	-	539053S
30L	-	539054S
30R	-	539055S

*For dark tone add suffix D

Pylon Kit	339865
Pylon cutting jig	941257
Battery charger kit	239093V2A
Aus adaptor	950164
UK adaptor	950136
Euro adaptor	950137
US adaptor	950138
Shin extension cable	239090
Socket screwdriver 4mm	940271
Socket Hex 5mm AF	940266
Clinician's Manual	938353V2A
Cosmetic Cover	561101BLACK
Blatchford Large Limb bag	936267

Proximal Attachments

Rotating Pyramid with Shift	239017		7mm
Non-rotating Pyramid with Shift	239089		7mm
Rotating Female Pyramid with Shift	189128		28mm
M36 Threaded Adapter	239092		14mm

Build part numbers are for assembly guidance only and may not be for sale separately.



Fully integrated, microprocessor controlled lower limb system for above knee amputees.

Linx

Features

- **Situational Awareness** - Integrated sensors continuously collect data to seamlessly adapt the limb's response
- **Key Features** - New and Improved
 - **Improved Ramp Ascent Assist Mode**
 - **New Heel Rise Damping**
 - **Improved Stair Descent Recognition**
 - **Improved Stance Flexion**
 - **Stumble Recovery**
 - **Standing Support**
- Training Mode, Cycling Mode and Flexion Lock Mode
- Knee Flexion to 130°
- Intuitive Programming Software via iOS or Android App
- Up to 3 days battery life
- Sandal Toe Foot Shell
- Cosmetic Cover

Specifications

Max. User Weight:	125kg
Activity Level:	(2), 3, (4*)
Size Range:	22 to 30
Component Weight:	2.6kg†
Build Height:	470mm to 565mm
Heel Height:	10mm



Order Example

Product Code	Size	Side	Width*	Spring Set	Sandal Toe
LINX	25	L	N	3	S

*Narrow (N) and Wide (W) available for sizes 25-28 only. For dark tone add suffix D. Example: foot size 25, left, narrow, spring rating 3, sandal toe.

Accessories

Long Pylon Kit	339965
Alignment Wedge	940093
Magnetic Charger Kit	239093V2A
Magnetic Charger Cover	236554

Socket Adapters

P409049

Activity Level 3 has the ability or potential for ambulation with variable cadence. Typical of the community ambulator who has the ability to traverse most environmental barriers and may have vocational, therapeutic, or exercise activity that demands prosthetic utilization beyond simple locomotion. Activity level 2 and 4* users will require softer or stiffer springs as appropriate for the individual user rather than as shown in the spring selection guide.

Activity	User Weight							
	44-52	53-59	60-68	69-77	78-88	89-100	101-116	117-125
3	1	2	3	4	5	6	7	8

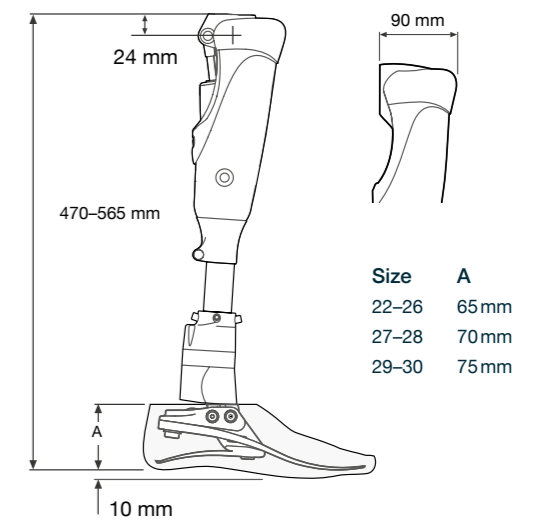
kg
lbs

Spring set

*Max user weight 100kg and always use one higher spring rate.
†Component weight shown is for a size 26cm without foot shell.



Build Height

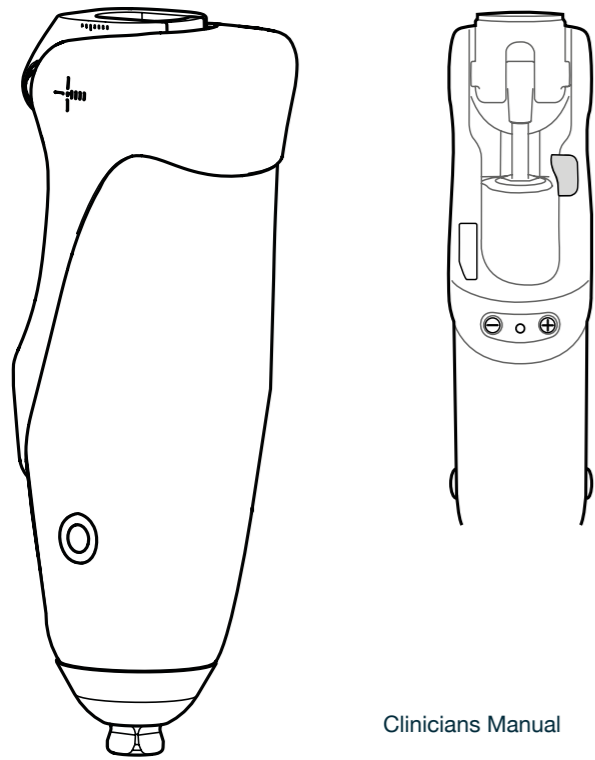




Knees



Orion³ Schematics



Clinicians Manual 938374V2A



Microprocessor controlled hydraulic knee with intelligent speed control.

Orion³

Features

- Situational Awareness – an Inertial Measurement Unit senses movement and speed to respond accordingly, in real time
- Key Features - New & Improved
 - **New** Heel Rise Damping
 - **Improved** Stair Descent Recognition
 - **Improved** Stance Flexion
 - **New** Button Programming Functionality
 - Standing Support
 - Stumble Recovery
- Natural Efficient Motion - MPC pneumatics ensure energy efficient and smooth swing at multiple speeds
 - Optimal Stance Release
 - Adaptive Speed Control
 - Terminal Swing Damping
- Training Mode, Cycling Mode and Flexion Lock Mode
- Knee Flexion to 130°
- Intuitive Programming Software via iOS or Android App
- Lithium Ion batteries with up to 3 days life, dependent on usage
- Battery Life Indicator and Low Power Mode
- Cosmetic Cover



Specifications

Max. User Weight:	125kg
Activity Level:	(2), 3, (4*)
Component Weight:	1.5kg
Build Height:	250mm
Control Unit:	MPK Hydraulic/Pneumatic

*Dependent on local reimbursement guidelines/maximum user weight 100kg



Part Numbers

ORION3

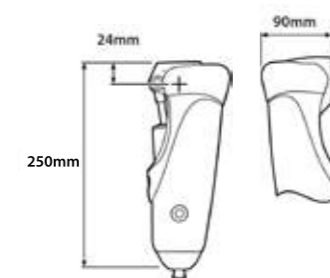
Accessories

Battery Charger Kit	239093V2A
Cosmetic Cover	561101BLACK
Blatchford large limb bag	936267
Blatchford small limb bag	936268

Socket Adapters

P409049

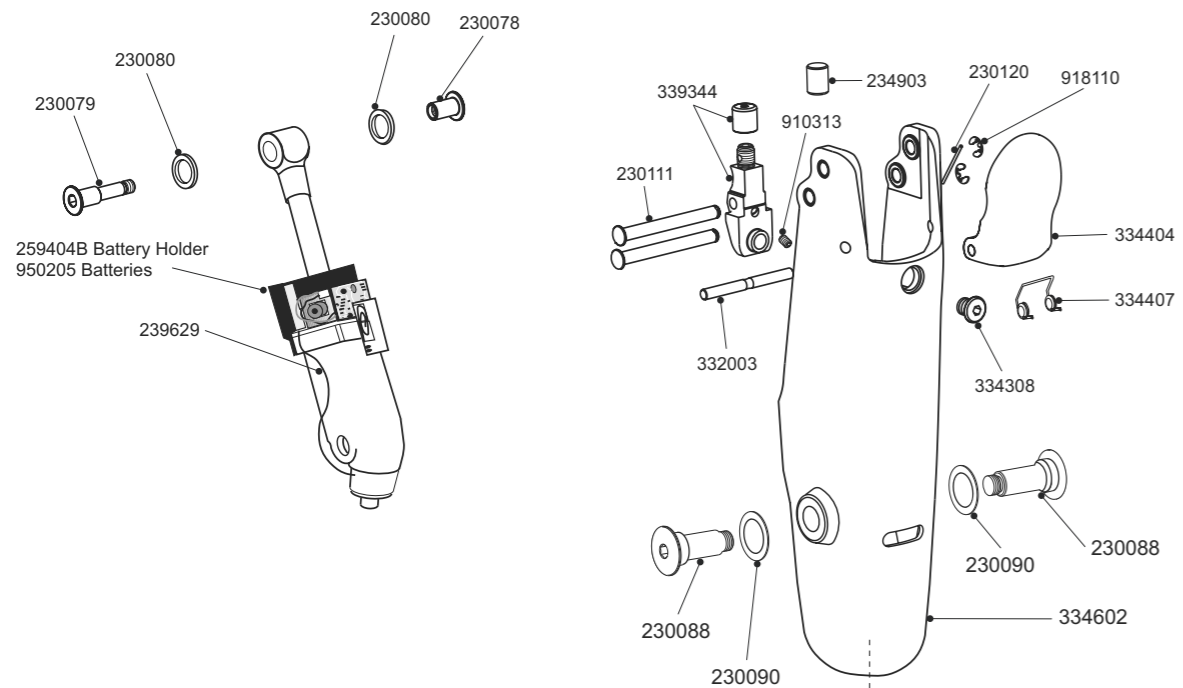
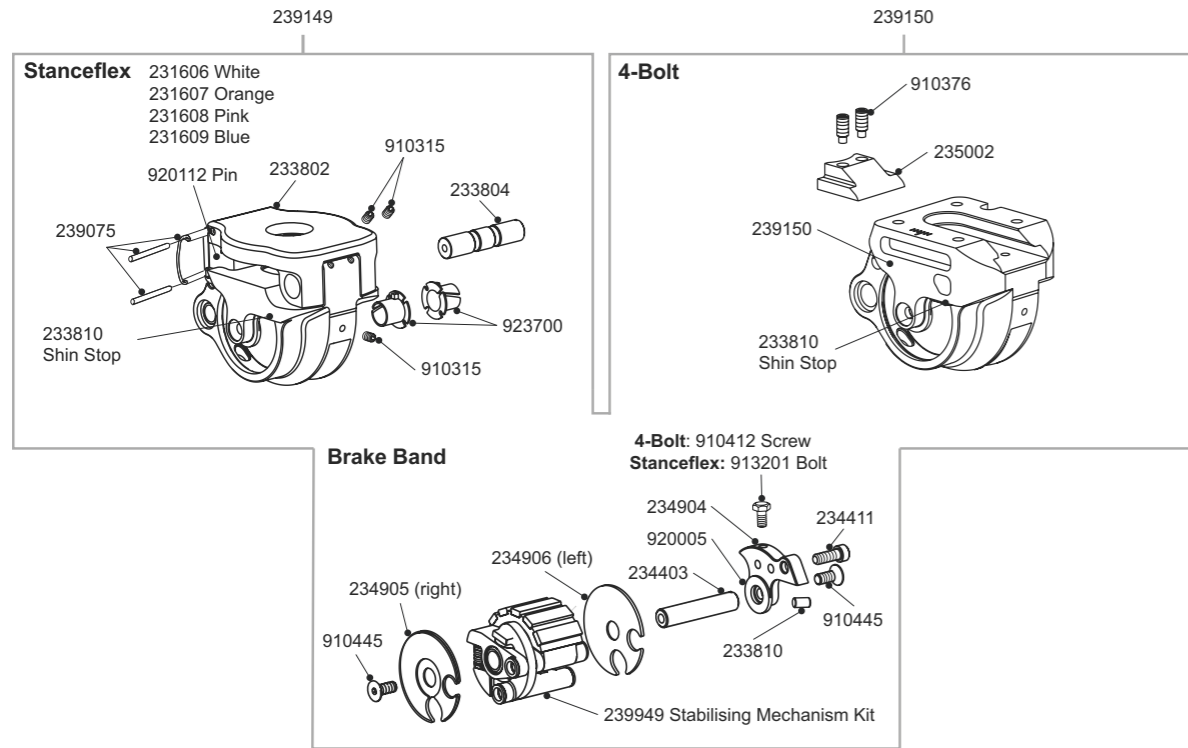
Build Height



Proximal Attachments

Rotating Pyramid with Shift	239017		7mm
Non-rotating Pyramid with Shift	239089		7mm
Rotating Female Pyramid with Shift	189128		28mm
M36 Threaded Adapter	239092		14mm





- Instructions for use **938250**
- Control cylinder instructions **938238**
- Alignment/stability **938194**
- Stanceflex ESK+ **938192**
- 4-Bolt ESK+ **938205**
- Blatchford large limb bag **936267**
- Blatchford small limb bag **936268**



Features

- Smart Programming, electromechanical, adjustable terminal impact and extension damping
- Comfortable gait from very slow to fast walking speeds
- Smoother speed progression because of enhanced program
- Weight activated stance control
- Stanceflex option improves comfort
- Battery life expectancy 9-12 months under normal usage
- 140° knee flexion
- 4-Bolt option reduces build height

Specifications

- Max. User Weight:** 125kg
- Activity Level:** (1), 2, 3, (4*)
- Component Weight:** 1.27kg Stanceflex
1.15kg 4-Bolt
- Build Height:** see diagram
- Control Unit:** Swing: MPK/Pneumatic
Stance: mechanical

* Maximum user weight 100kg



Part Number

- Stanceflex options **SMARTIPSF30**
SMARTIPSFYR
- 4-Bolt options **SMARTIP4B30**
SMARTIP4BPYR

Stanceflex Rubber Hardness

25°	35°	45°	70°
231608	231606	231607	231609
Soft		Fitted as standard	Hard

Careful selection of Stanceflex rubber is essential as it influences the action of the unit (see fitting information).

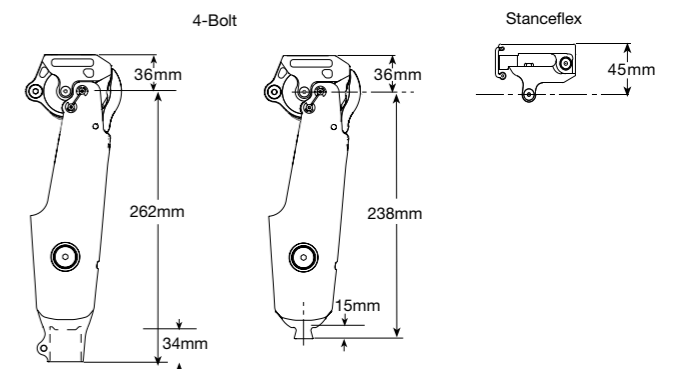
Socket Adapters

- Stanceflex options
 - 409041
 - 189806
 - 189127
- 4-Bolt options
 - EP-MSR
 - EP-FSR
 - P189310
 - 239017
 - 239032
 - 189128
 - 239092
 - 239089

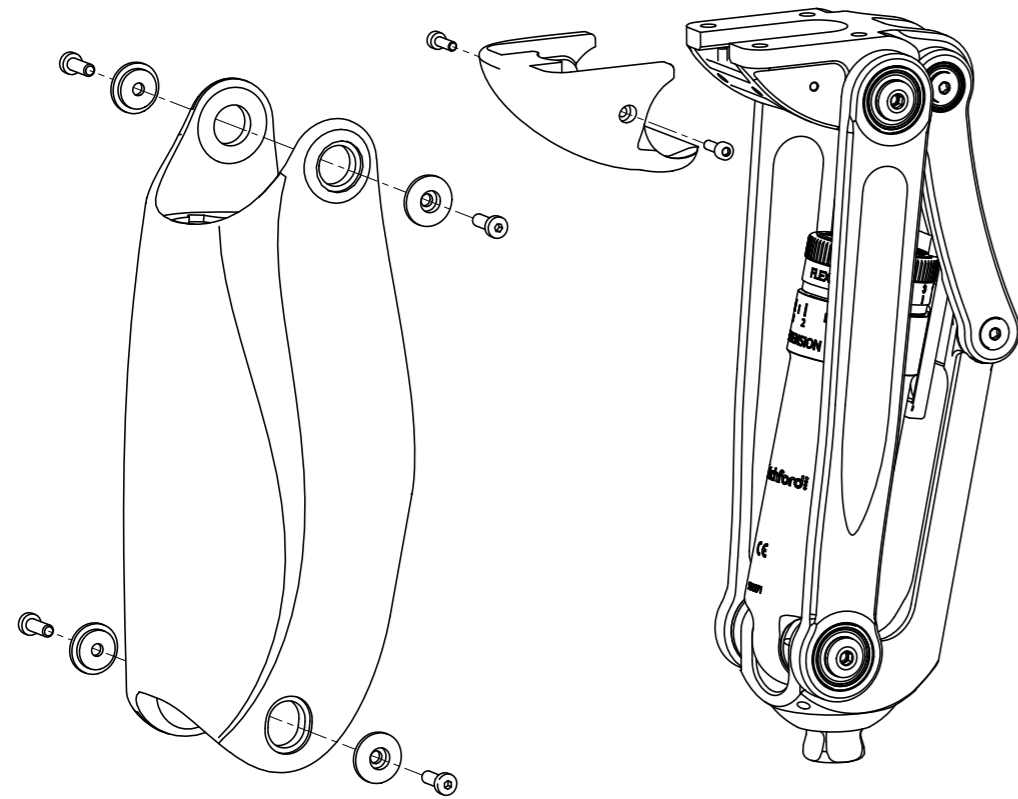


Pyramid option shown

Build Height



KX07 Schematics



Spare Parts:

Knee Pad Kit	239561
Cover replacement kit	239661
Spacer and screw kits for cover	239761
Cover spacer	236122

Instructions for use 938409

Robust hydraulic knee for active users.

KX07

Features

- Polycentric knee with hydraulic swing and stance
- Sleek robust design with protective cover
- 160° knee flexion
- Waterproof
- Mode switch for cycling and standing support
- Multiple proximal adapter choices

Specifications


Max. User Weight/Activity Level:	150kg/3 145kg/4
Component Weight:	1.34kg
Build Height:	220mm
Control Unit:	Hydraulic



Part Numbers

KX07V2

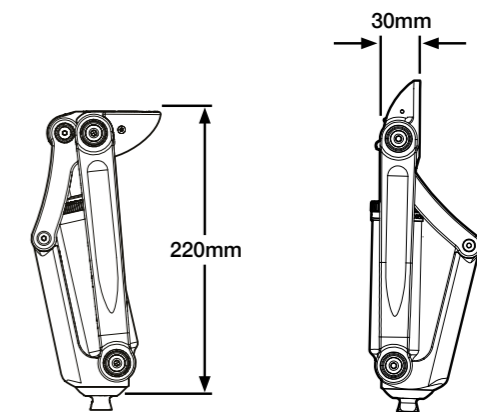
Accessories

Cylinder Adjuster Tool	940091	
Blatchford large limb bag	936267	
Blatchford small limb bag	936268	

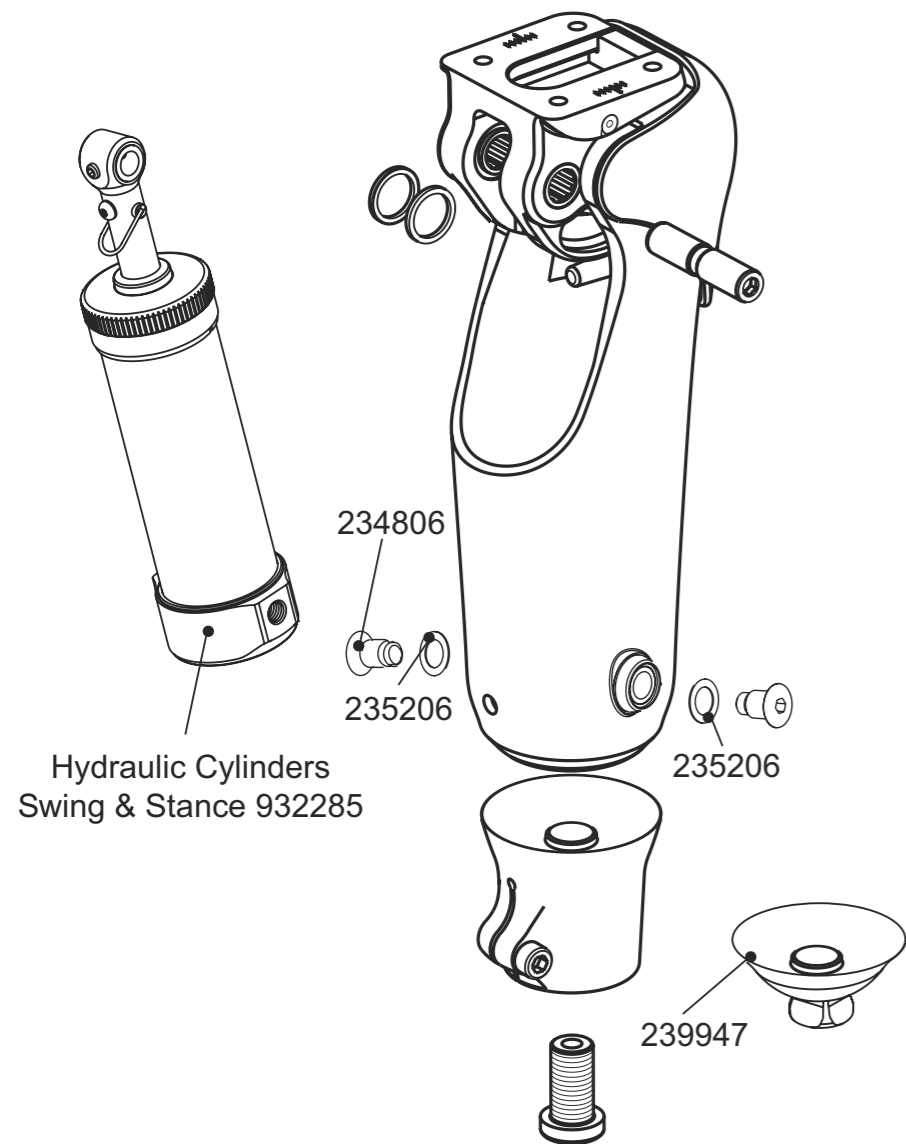
Adapters

				
EP-MSR	EP-FSR	P189310	239032	239017
				
189128	239092	239089		

Build Height



Build part numbers are for assembly guidance only and may not be for sale separately.



Instructions for use knee 938251
Control cylinder instructions 938216

Build part numbers are for assembly guidance only and may not be for sale separately.

Robust hydraulic knee for active lifestyles.

Features

- Tough carbon fibre frame
- 125° knee flexion
- Long life needle roller bearings
- Reinforced hydraulic unit
- Variable cadence
- Cylinder flexion lock
- Mode switch for cycling
- Durable urethane kneeler pad
- Compact design

Specifications

Max. User Weight/Activity Level: 150kg/3
145kg/4

Component Weight: 1.23kg

Build Height: See diagram


Control Unit: Hydraulic

Suitable for outdoor use

Part Numbers

MH30
MHPYR

Accessories

Cylinder Adjuster Tool 940091 

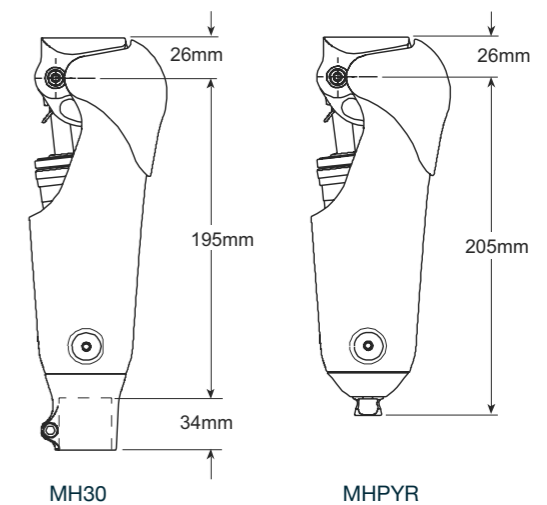
Blatchford large limb bag 936267

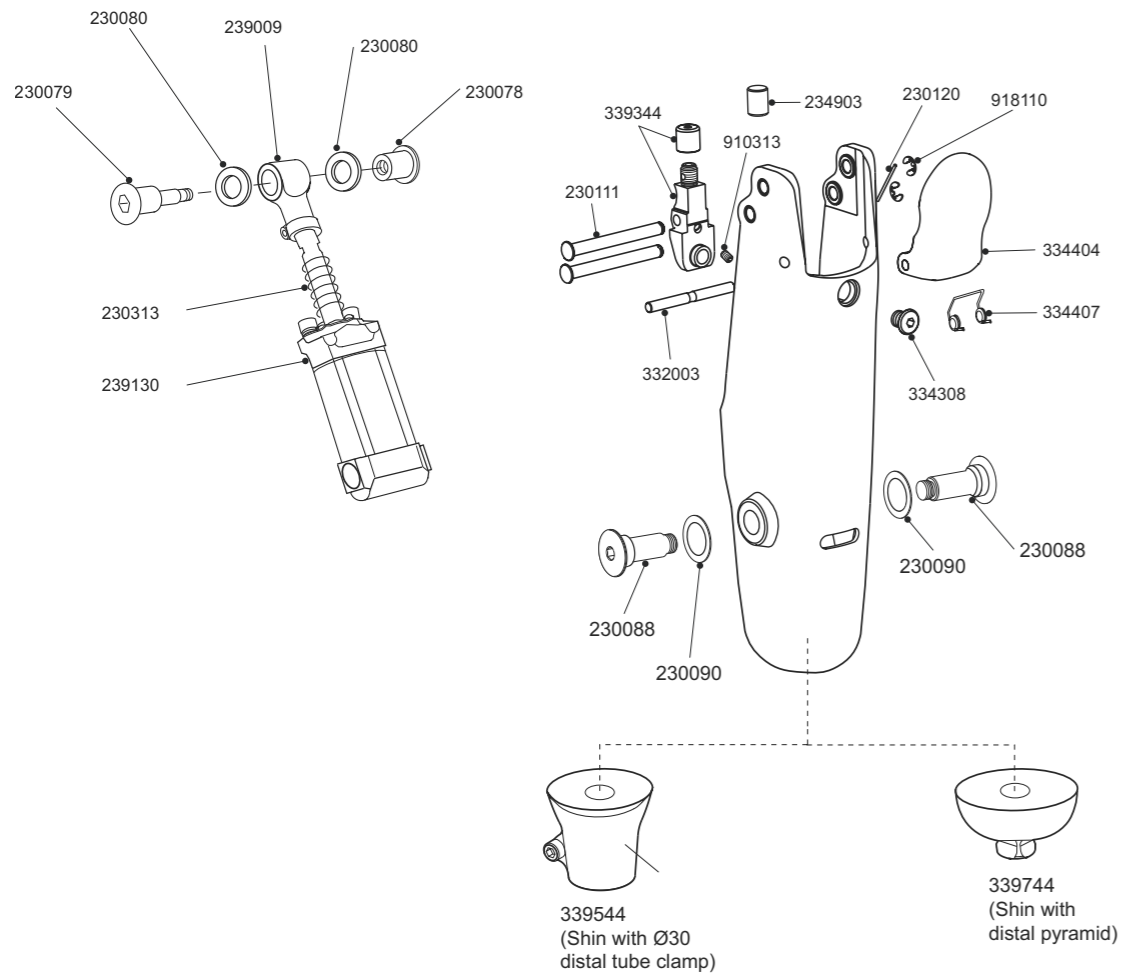
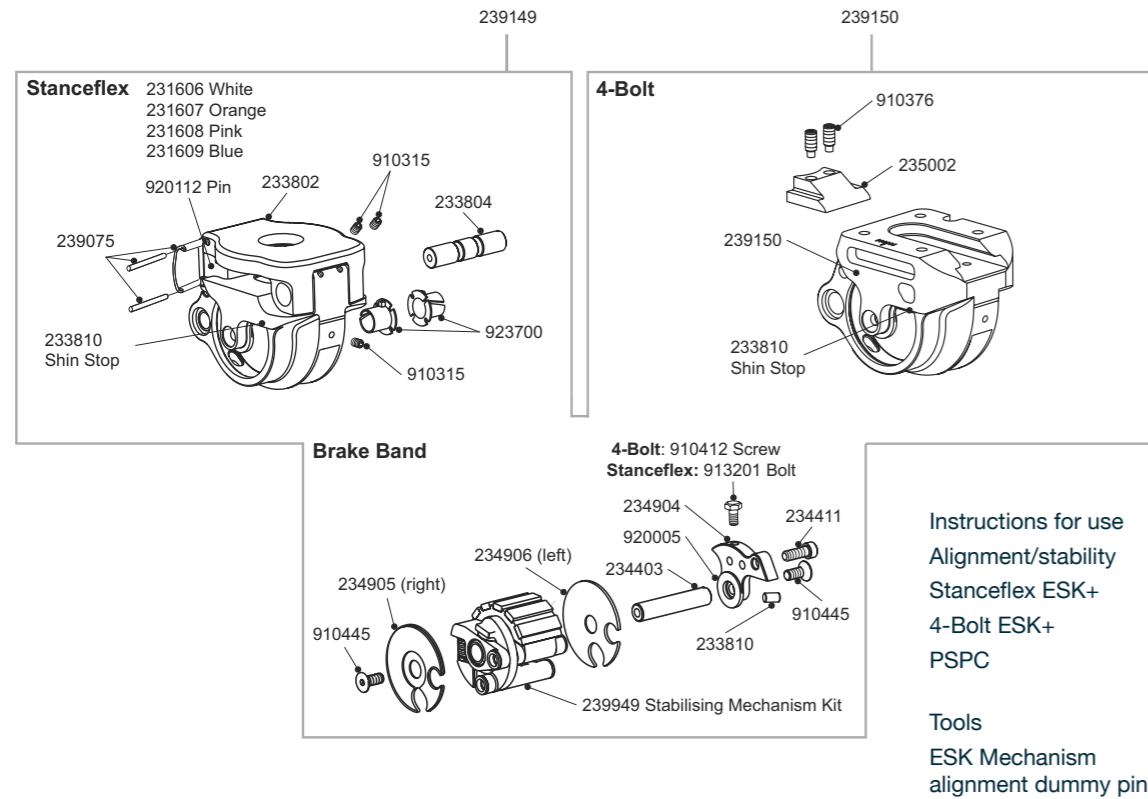
Blatchford small limb bag 936268

Adapters



Build Height





Build part numbers are for assembly guidance only and may not be for sale separately.

PSPC knee with weight activated stance control for moderately active users.

Features

- Weight activated adjustable stance control
- Pneumatic swing phase control
- Stanceflex option improves comfort
- 140° of knee flexion
- 4-Bolt option reduces build height

Specifications

Max. User Weight:	125kg
Activity Level:	2, 3, (4*)
Component Weight:	1.13kg Stanceflex 1.15kg 4-Bolt
Build Height:	See diagram
Control Unit:	Pneumatic

* Maximum user weight 100kg

Suitable for outdoor use

Part Numbers

4-Bolt options	ESK4BP30 ESK4BPPYR
Stanceflex Options	ESKSFP30 ESKSFPYR

Stanceflex Rubber Hardness

25°	35°	45°	70°
231608	231606	231607	231609
Soft		Fitted as standard	Hard

Careful selection of Stanceflex rubber is essential as it influences the action of the unit (see fitting information).

Accessories

Blatchford large limb bag	936267
Blatchford small limb bag	936268

Adapters

Stanceflex options

409041	189806	189127

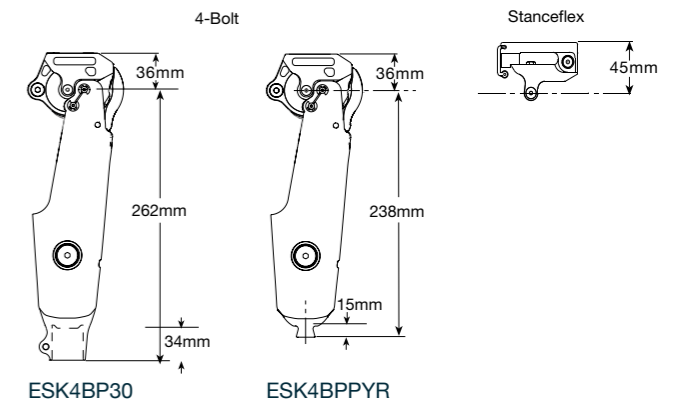
4-Bolt options

EP-MSR	EP-FSR	P189310	239017	239032
189128	239092	239089		



ESK4BP30 shown

Build Height

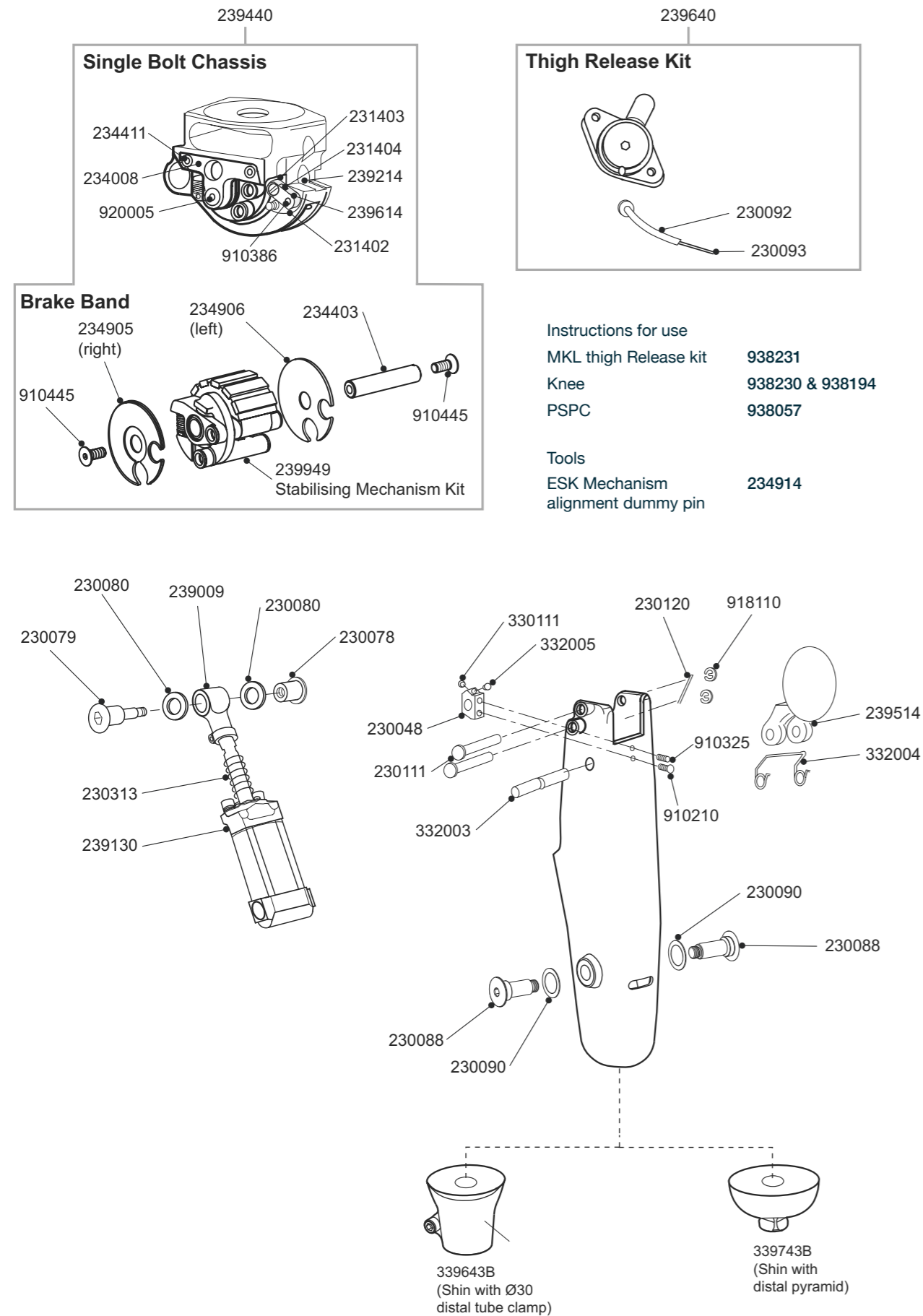


Fitting Kit for PSPC

Fitting Kit for PSPC 019758

- Includes:
- Nut
 - Bolt
 - Thrust washer, 2 off
 - Lower pivot, 2 off
 - Thrust washer, 2 off
 - Assistor spring
 - Trunnion

ESK+ MKL Schematics



PSPC knee with weight activated stance control and manual knee lock for moderately active users.

ESK+ MKL

Features

- Weight activated stance control with lock option
- Pneumatic swing control
- Manual user-operated lock
- 115° knee flexion
- Universal thigh release lock operation
- Proximal full alignment

Specifications

Max. User Weight:	125kg
Activity Level:	(1), 2, (3), (4*)
Component Weight:	1.2kg
Build Height:	See diagram
Control Unit:	Pneumatic/lock

* Maximum user weight 100kg



Part Numbers

EKSMBMKLP30
EKSMBMKLPPYR

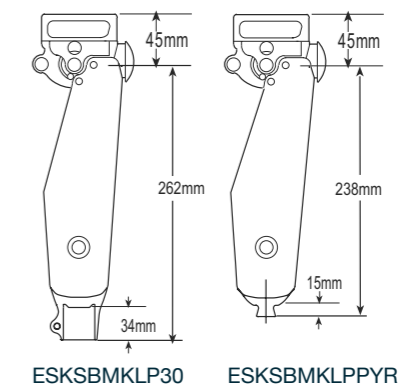
Accessories

Thigh Release Kit	239640 (included)
Blatchford large limb bag	936267
Blatchford small limb bag	936268
ESK Spares Kit	ESK SKit

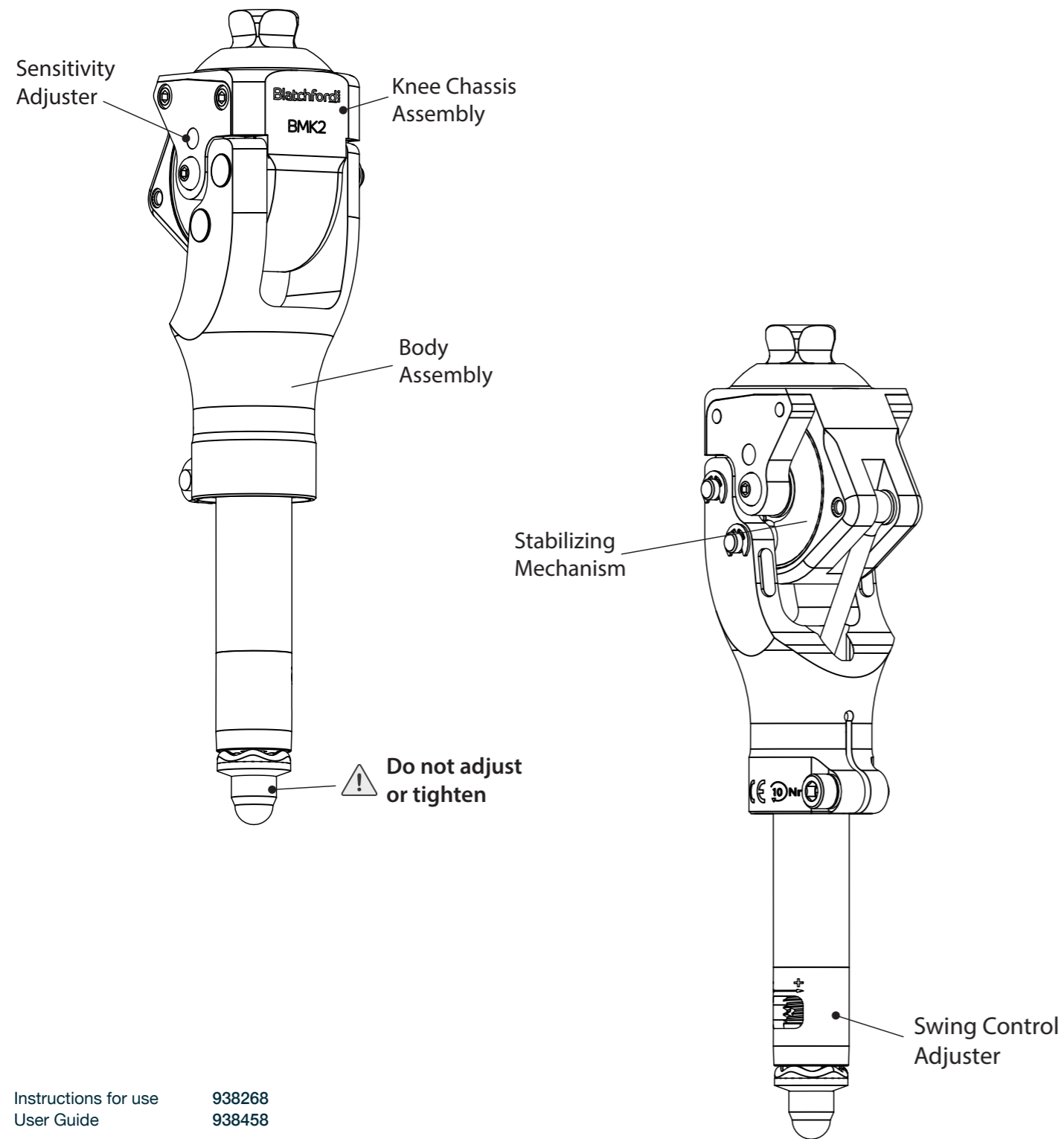
Adapters



Build Height



Build part numbers are for assembly guidance only and may not be for sale separately.



Instructions for use 938268
User Guide 938458

Compact, lightweight stabilised knee designed for low activity amputees.

Features

- Weight activated stance control providing smooth activation and release
- Brake mechanism with adjustable stance phase stability and progressive locking provides high stability and confidence during stance
- Stance Flexion provides additional shock absorption and cushioning improving comfort
- Adjustable spring-assisted swing control allows adjustment of heel rise/extension bias ensuring the limb is in the right place at the right time. Optimising ground clearance whilst reducing the risk of tripping
 - 6 levels of stance phase stability control are adjusted via a 3mm allen key
 - Extension bias adjuster enables more sensitive adjustments for better customization
- Lightweight (580g) requires less energy to maintain mobility
- Compact (60mm protrusion when knee flexed)
- Quick and easy to align incorporating a proximal rotating pyramid
- 130° knee flexion angle
- Field serviceable (refer to IFU)

Specifications

Max. User Weight:	125kg
Activity Level:	1 & 2
Component Weight:	580g (1lb 5ozs)
Build Height:	127mm

Suitable for outdoor use

Part Number

BMK2

Accessories

Extension Stop Kit	239453
Stabilizing Mechanism Kit	239553
Extension Buffer	B-0000021
Blatchford large limb bag	936267
Blatchford small limb bag	936268

Proximal Attachment

Rotating Male Pyramid

Distal Attachment

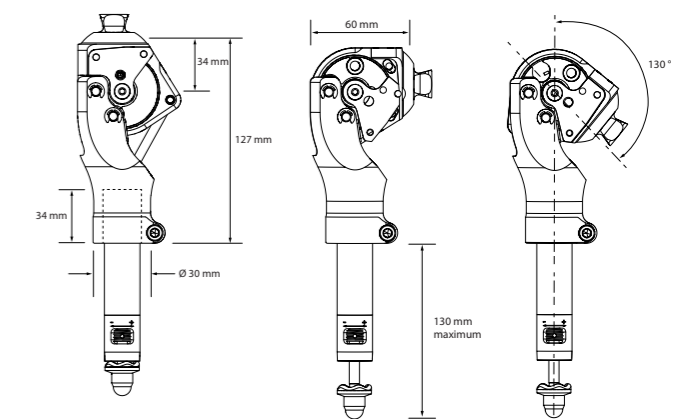
30mm Diameter Tube Clamp

Recommended Foot

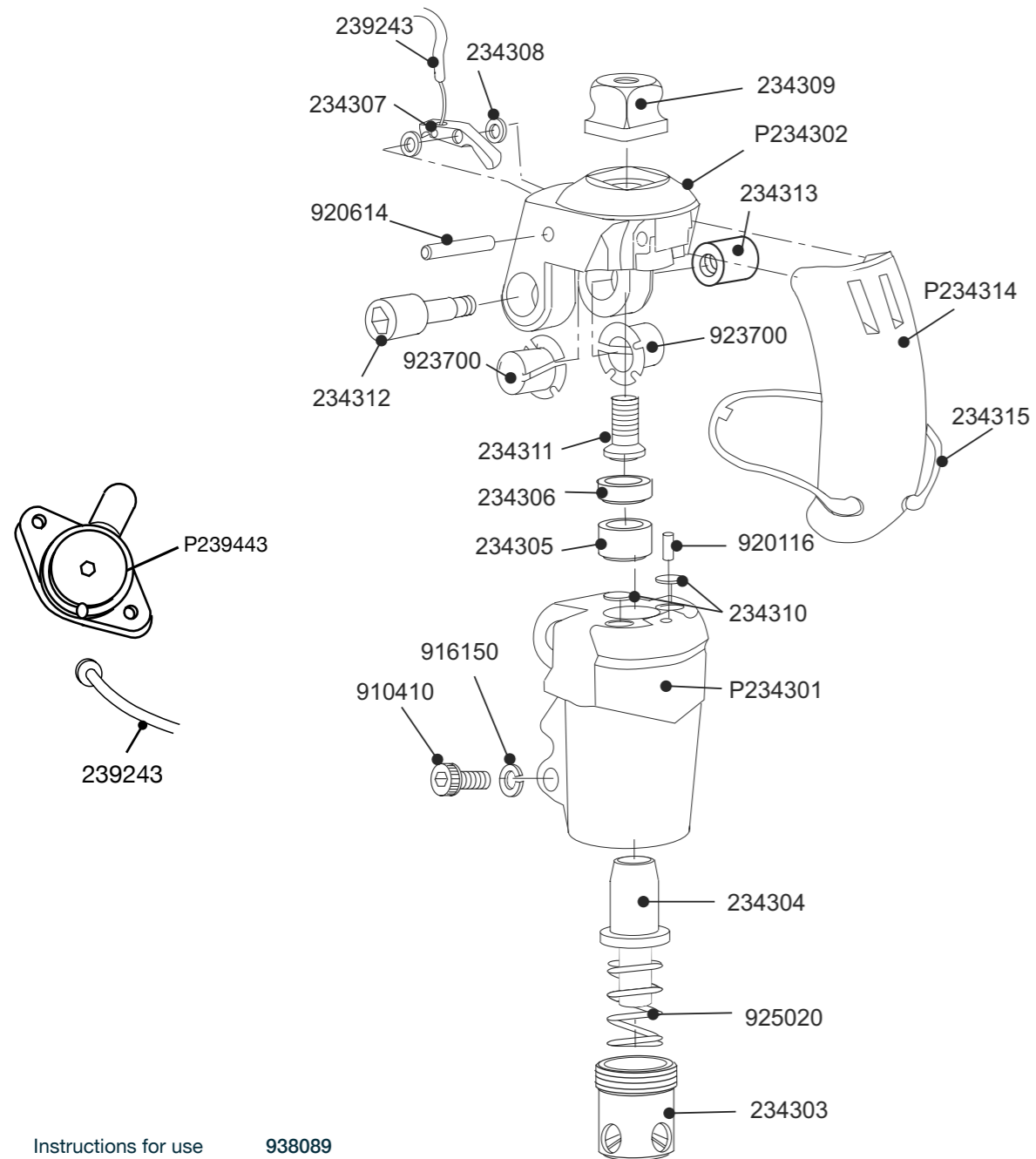
- AvalonK2 or Navigator
- + AK30M1 Tube clamp adaptor pyramid female 30mm
- + 903220/500 Aluminium pylon 30mm/500mm



Build Height



Compact SAKL Schematics



Instructions for use 938089

Build part numbers are for assembly guidance only and may not be for sale separately.

Compact and lightweight knee,
ideal for low activity users.

Features

- Slim, low profile knee
- 140° knee flexion
- Locks automatically on extension
- Thigh release

Specifications

Max. User Weight:	125kg
Activity Level:	1-2
Component Weight:	325g
Build Height:	See diagram
Control Unit:	SAKL

Suitable for outdoor use

Part Number

P239143

Accessories

Thigh Release Kit (release lever only)	P239443
Thigh Release Cable	239243
SAKL & MK Cable Kit	SAKLCKit

Adapters

P409049

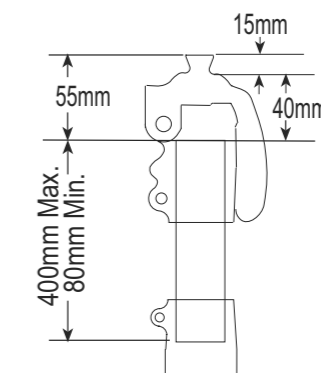


Compact SAKL

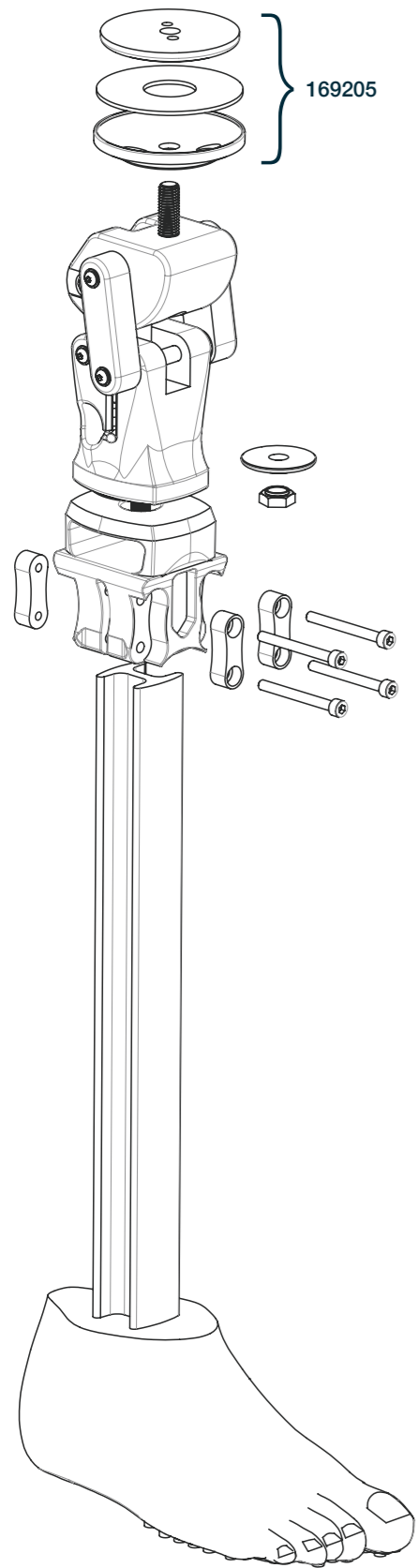


Side view shown

Build Height



Aqualimb^{TF} Schematics



Instructions for use 938321
 Alignment Kit 169205
 Blatchford large limb bag 936267
 Blatchford small limb bag 936268

A waterproof prosthesis designed for use in the shower and wet environments.

Features

- Machined polycentric linkage designed knee to improve security
- Manual lock option to increase stability
- Rapid assembly
- Anti-slip tread pattern on sole

Specifications

Max. User Weight: 100kg
 Activity Level: 1-2
 Size Range: 22cm-27cm
 Component Weight†: 2.0kg
 Build Height: 400-585mm
 Heel Height: 5mm

Suitable for submersion

Aqualimb^{TF}

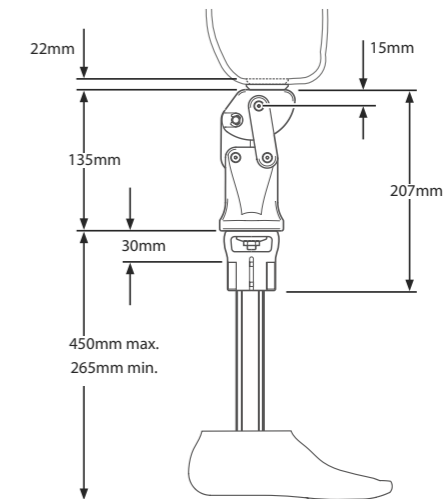


Order Example

Product Code	Size	Side
AQTF	25	L

Foot example: AqualimbTF, size 25 left.

Build Height





Feet and Ankles



Elan Schematics

1 Spring Kits:

Foot Size	Foot Size	Foot Size	Foot Size
22-24	25-26	27-28	29-30
Set 1 - 539801S	Set 1 - 539810S	Set 1 - 539819S	Set 1 - 539828S
Set 2 - 539802S	Set 2 - 539811S	Set 2 - 539820S	Set 2 - 539829S
Set 3 - 539803S	Set 3 - 539812S	Set 3 - 539821S	Set 3 - 539830S
Set 4 - 539804S	Set 4 - 539813S	Set 4 - 539822S	Set 4 - 539831S
Set 5 - 539805S	Set 5 - 539814S	Set 5 - 539823S	Set 5 - 539832S
Set 6 - 539806S	Set 6 - 539815S	Set 6 - 539824S	Set 6 - 539833S
Set 7 - 539807S	Set 7 - 539816S	Set 7 - 539825S	Set 7 - 539834S
Set 8 - 539808S	Set 8 - 539817S	Set 8 - 539826S	Set 8 - 539835S

2 Glide Sock:

Size 22-26	531011
Size 27-30	532811

3 Foot Shells:*

Foot size Left/Right	Narrow	Wide
22L	539038S	-
22R	539039S	-
23L	539040S	-
23R	539041S	-
24L	539042S	-
24R	539043S	-
25L	539044SN	539044SW
25R	539045SN	539045SW
26L	539046SN	539046SW
26R	539047SN	539047SW
27L	539048SN	539048SW
27R	539049SN	539049SW
28L	539050SN	539050SW
28R	539051SN	539051SW
29L	-	539052S
29R	-	539053S
30L	-	539054S
30R	-	539055S

*For dark tone add suffix D

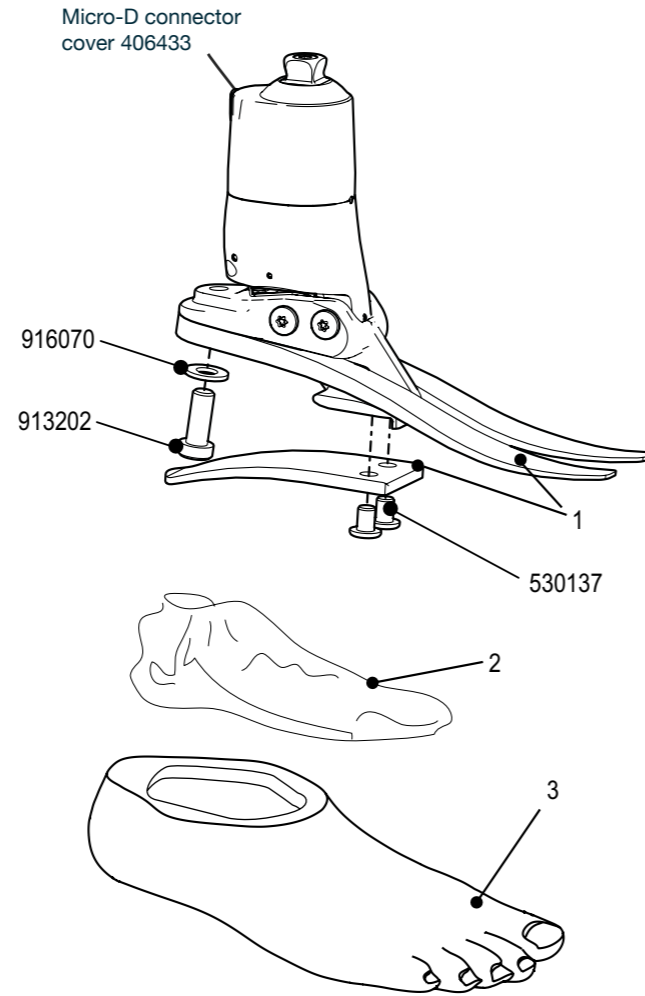
Bluetooth® dongle	409093
Clinician's manual	938317S

Elan battery charger kit	409087E
--------------------------	---------

Includes:	
Battery charger	950215
Battery charger adapter (UK)	950103
Battery charger adapter (USA)	950104
Battery charger adapter (EURO)	950105
Charger adapter cable	409091

Elan comms kit	406431E
----------------	---------

Includes:	
External USB Bluetooth® adapter	950129
Comms cable (USB to TTL)	950928
Comms cable adapter	409078
Interface cable (micro D to comms cable adapter)	409084
Elan software USB fob	406413E



Microprocessor-controlled hydraulic ankle/foot for terrain response and speed control.

Elan

Features

- Microprocessor controlled self-aligning plantar flexion and dorsiflexion
- Standing support mode increases resistance when stationary to help improve balance, stability, reduce effort and encourage a more natural posture
- Variable response to speed changes
- Increased plantar flexion resistance allows for more energy storage and return when walking quickly or up slopes
- Ankle remains dorsiflexed during swing phase to increase toe clearance and reduce risk of trips and falls
- Batteries contained within ankle
- Increased dorsiflexion resistance provides a brake when walking down slopes for improved safety and stability
- Sandal Toe Foot Shell

Foot Shell and Glide Sock included.



Specifications

Max. User Weight:	125kg*
Activity Level:	(2), 3, (4**)
Size Range:	22cm-30cm
Component Weight:	920g†
Build Height:	170mm sizes 22-26 175mm sizes 27-30
Heel Height:	10mm



Order Example

Product Code	Size	Side	Width*	Spring Set	Sandal Toe
ELAN	25	L	N	3	S

*Narrow (N) and Wide (W) available for sizes 25-28 only. □
For dark tone add suffix D.
Example: foot size 25, left, narrow, spring rating 3, sandal toe.

Build Height



Accessories

Alignment Wedge	940093
Spare Battery Charger Kit	409087E
Programming Tablet	019179

Activity Level 2 and 4** users who would benefit from this foot will require softer or stiffer springs as appropriate for the individual. Refer to Instructions for Use for further information. Spring set recommendations are for trans-tibial users. For trans-femoral we suggest selecting a spring set one level lower.

Activity	User Weight							
	44-52	53-59	60-68	69-77	78-88	89-100	101-116	117-125
3	1	2	3	4	5	6	7	8

kg
lbs

**Maximum user weight 100 kg and always use one higher spring rate category than shown in Spring selection table.
†Component weight shown is for a size 26cm without foot shell.

Build part numbers are for assembly guidance only and may not be for sale separately.

1 Spring Kits:

Foot Size	Foot Size	Foot Size	Foot Size
22-24	25-26	27-28	29-30
Set 1 - 539801S	Set 1 - 539810S	Set 1 - 539819S	Set 1 - 539828S
Set 2 - 539802S	Set 2 - 539811S	Set 2 - 539820S	Set 2 - 539829S
Set 3 - 539803S	Set 3 - 539812S	Set 3 - 539821S	Set 3 - 539830S
Set 4 - 539804S	Set 4 - 539813S	Set 4 - 539822S	Set 4 - 539831S
Set 5 - 539805S	Set 5 - 539814S	Set 5 - 539823S	Set 5 - 539832S
Set 6 - 539806S	Set 6 - 539815S	Set 6 - 539824S	Set 6 - 539833S
Set 7 - 539807S	Set 7 - 539816S	Set 7 - 539825S	Set 7 - 539834S
Set 8 - 539808S	Set 8 - 539817S	Set 8 - 539826S	Set 8 - 539835S

2 Glide Sock:

Size 22-26	531011
Size 27-30	532811

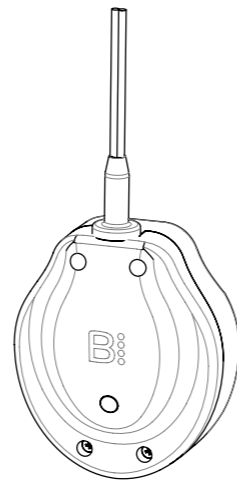
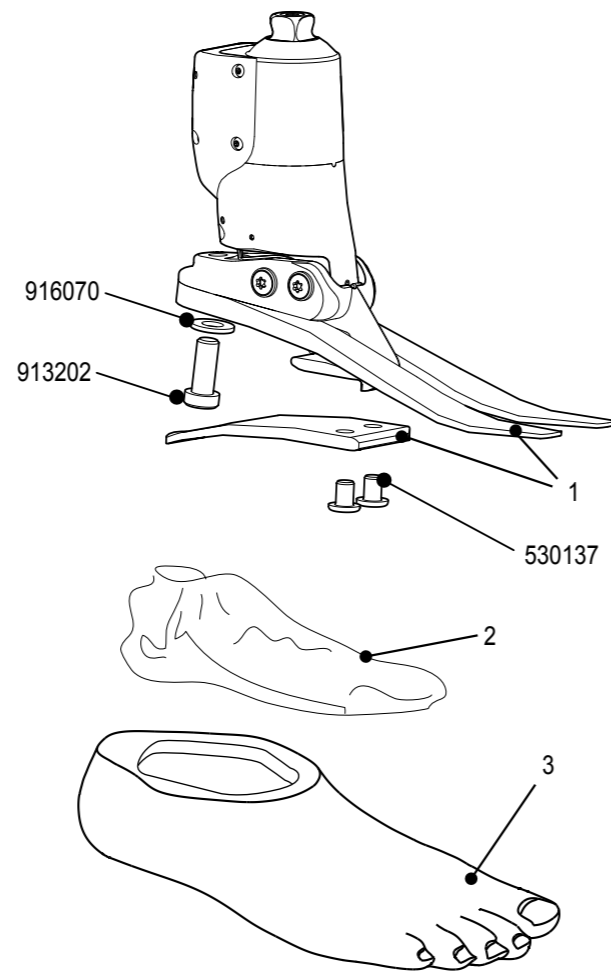
3 Foot Shells:*

Foot size Left/Right	Narrow	Wide
22L	539038S	-
22R	539039S	-
23L	539040S	-
23R	539041S	-
24L	539042S	-
24R	539043S	-
25L	539044SN	539044SW
25R	539045SN	539045SW
26L	539046SN	539046SW
26R	539047SN	539047SW
27L	539048SN	539048SW
27R	539049SN	539049SW
28L	539050SN	539050SW
28R	539051SN	539051SW
29L	-	539052S
29R	-	539053S
30L	-	539054S
30R	-	539055S

*For dark tone add suffix D

Battery Charger Adaptor - UK	950185
Battery Charger Adaptor - US	950184
Battery Charger Adaptor - Europe	950183
Battery Charger Adaptor - Australia	950186
External USB Bluetooth [®] Adaptor	950129
IC Battery Charger Kit	409087IC

Instructions for use	938438
----------------------	--------



Waterproof microprocessor controlled hydraulic ankle/foot for terrain response and speed control.

Features

- Integrated **Bluetooth**[®]
- Clinician Programming App
- Microprocessor controlled plantar flexion and dorsiflexion
- Standing support mode increases resistance when stationary to help improve balance, stability, reduce effort and encourage a more natural posture
- Variable response to speed changes
- Increased plantar flexion resistance allows for more energy storage and return when walking quickly or up slopes
- Ankle dorsiflexion during the swing phase increases toe clearance and reduces the risk of trips and falls
- Increased dorsiflexion resistance provides a brake when walking down slopes for improved safety and stability
- Waterproof – IP67
- Induction charging
- Sandal Toe Foot Shell

Foot Shell and Glide Sock included.

Specifications

Max. User Weight:	125kg*
Activity Level:	(2), 3, (4**)
Size Range:	22cm-30cm
Component Weight:	1kg [†]
Build Height:	172mm sizes 22-26 177mm sizes 27-30
Heel Height:	10mm
Waterproof:	Rated to IP67



Suitable for submersion

Order Example

Product Code	Size	Side	Width*	Spring Set	Sandal Toe
ELANIC	25	L	N	3	S

*Narrow (N) and Wide (W) available for sizes 25-28 only.†

For dark tone add suffix D.

Example: foot size 25, left, narrow, spring rating 3, sandal toe.

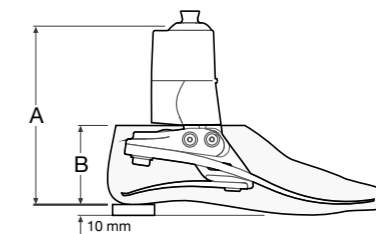
Activity Level 2 and 4** users who would benefit from this foot will require softer or stiffer springs as appropriate for the individual. Refer to Instructions for Use for further information. Spring set recommendations are for trans-tibial users. For trans-femoral we suggest selecting a spring set one level lower.

Activity	User Weight								Spring set
	44-52	53-59	60-68	69-77	78-88	89-100	101-116	117-125	
3	1	2	3	4	5	6	7	8	

**Maximum user weight 100 kg and always use one higher spring rate category than shown in Spring selection table.
†Component weight shown is for a size 26cm without foot shell.



Build Height



Sizes	A	B
22-26	172mm	65mm
27-28	177mm	70mm
29-30	177mm	75mm

Accessories

Alignment Wedge	940093
Inductive Battery Charger Kit	409087IC
Programming Tablet	019179

Build part numbers are for assembly guidance only and may not be for sale separately.

1 Spring Kits:

Foot Size	Foot Size	Foot Size	Foot Size
22-24	25-26	27-28	29-30
Set 1 - 539801S	Set 1 - 539810S	Set 1 - 539819S	Set 1 - 539828S
Set 2 - 539802S	Set 2 - 539811S	Set 2 - 539820S	Set 2 - 539829S
Set 3 - 539803S	Set 3 - 539812S	Set 3 - 539821S	Set 3 - 539830S
Set 4 - 539804S	Set 4 - 539813S	Set 4 - 539822S	Set 4 - 539831S
Set 5 - 539805S	Set 5 - 539814S	Set 5 - 539823S	Set 5 - 539832S
Set 6 - 539806S	Set 6 - 539815S	Set 6 - 539824S	Set 6 - 539833S
Set 7 - 539807S	Set 7 - 539816S	Set 7 - 539825S	Set 7 - 539834S
Set 8 - 539808S	Set 8 - 539817S	Set 8 - 539826S	Set 8 - 539835S

2 Glide Sock:

Size 22-26	531011
Size 27-30	532811

3 Foot Shells:*

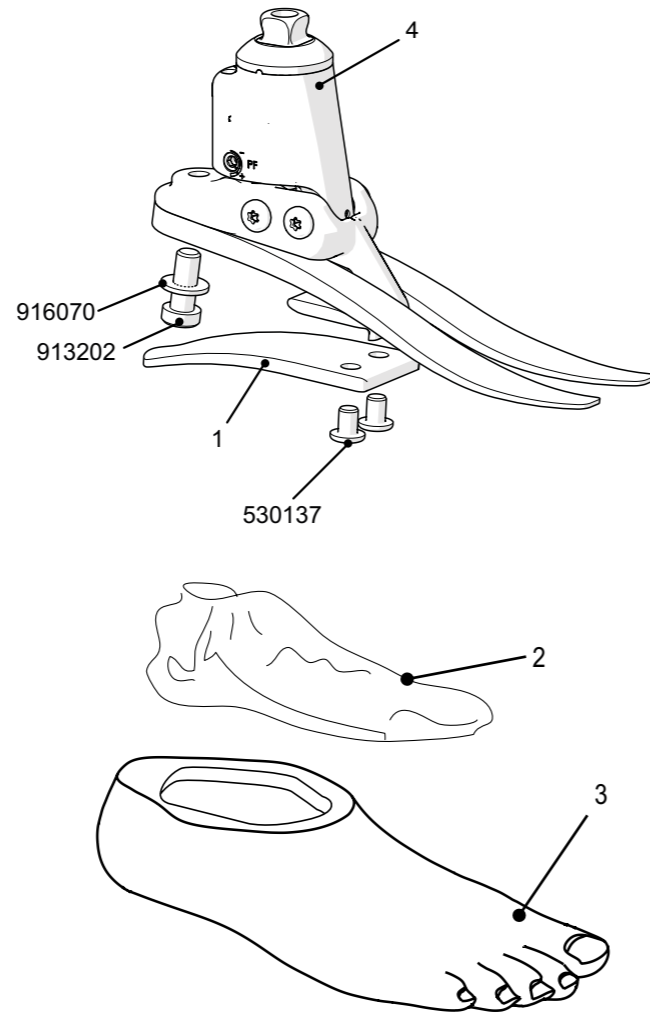
Foot size Left/Right	Narrow	Wide
22L	539038S	-
22R	539039S	-
23L	539040S	-
23R	539041S	-
24L	539042S	-
24R	539043S	-
25L	539044SN	539044SW
25R	539045SN	539045SW
26L	539046SN	539046SW
26R	539047SN	539047SW
27L	539048SN	539048SW
28L	539050SN	539050SW
28R	539051SN	539051SW
28R	-	539051S
29L	-	539052S
29R	-	539053S
30L	-	539054S
30R	-	539055S

*For dark tone add suffix D

4 Carrier Assembly

Size	
Small: 22-24	409263VAC
Medium: 25-26	409363VAC
Large: 27-30	409463VAC

Instructions for use 938367S



Hydraulic ankle technology paired with an elevated vacuum system for a secure and comfortable socket connection.

Features

- Biomimetic Hydraulic Technology with integrated elevated vacuum
- Walking motion generates a natural vacuum
- No power required, quiet gentle operation
- Lightweight, compact design
- Low build height
- E-carbon springs for efficient energy return
- Split toe design for ground compliance on uneven terrain
- Sandal Toe Foot Shell

Foot Shell and Glide Sock included.

Specifications

Max. User Weight:	125kg
Activity Level:	(2), 3, (4*)
Size Range:	22-30cm
Component Weight:	700g†
Maximum Vacuum:	17" Hg
Build Height:	121mm sizes 22-24 126mm sizes 25-26 131mm sizes 27-30
Heel Height:	10mm



Order Example

Product Code	Size	Side	Width*	Spring Set	Sandal Toe
EVAC	25	L	N	3	S

*Narrow (N) and Wide (W) available for sizes 25-28 only.†
For dark tone add suffix D.

Example: foot size 25, left, narrow, spring rating 3, sandal toe.

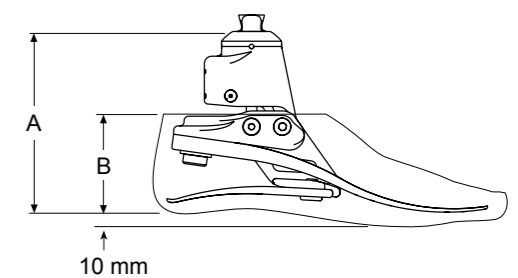
Accessories

Valves recommended for use with EchelonVAC can be found on page 124.

Alignment Wedge	940093
DF/PF Adjuster Key	940236
Socket Connection Kit	409663
Check Valve Service Kit	409863



Build Height



Size	A	Size	B
22-24	121 mm	22-26	65 mm
25-26	126 mm	27-28	70 mm
27-30	131 mm	29-30	75 mm

Build part numbers are for assembly guidance only and may not be for sale separately.

Activity Level 2 and 4* users who would benefit from this foot will require softer or stiffer springs as appropriate for the individual. Refer to Instructions for Use for further information.

Spring set recommendations are for trans-tibial users. For trans-femoral we suggest selecting a spring set one level lower.

Activity

User Weight

44-52	53-59	60-68	69-77	78-88	89-100	101-116	117-125	kg
100-115	116-130	131-150	151-170	171-195	196-220	221-255	256-275	lbs

3

1	2	3	4	5	6	7	8	Spring set
---	---	---	---	---	---	---	---	------------

†Maximum user weight 100 kg and always use one higher spring rate category than shown in Spring selection table.
*Component weight shown is for a size 26cm without foot shell.

Echelon^{VT} Schematics

1 Spring Kits:

Foot Size	Foot Size	Foot Size	Foot Size
22-24	25-26	27-28	29-30
Set 1 - 539801S	Set 1 - 539810S	Set 1 - 539819S	Set 1 - 539828S
Set 2 - 539802S	Set 2 - 539811S	Set 2 - 539820S	Set 2 - 539829S
Set 3 - 539803S	Set 3 - 539812S	Set 3 - 539821S	Set 3 - 539830S
Set 4 - 539804S	Set 4 - 539813S	Set 4 - 539822S	Set 4 - 539831S
Set 5 - 539805S	Set 5 - 539814S	Set 5 - 539823S	Set 5 - 539832S
Set 6 - 539806S	Set 6 - 539815S	Set 6 - 539824S	Set 6 - 539833S
Set 7 - 539807S	Set 7 - 539816S	Set 7 - 539825S	Set 7 - 539834S
Set 8 - 539808S	Set 8 - 539817S	Set 8 - 539826S	Set 8 - 539835S

2 Glide Sock:

Size 22-26	531011
Size 27-30	532811

3 Foot Shells:*

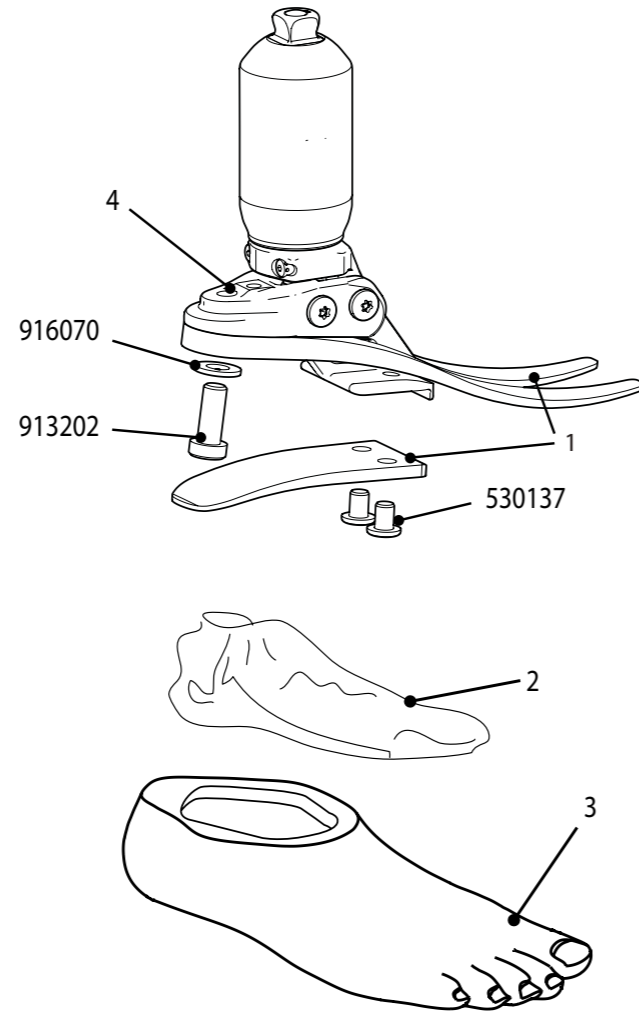
Foot size Left/Right	Narrow	Wide
22L	539038S	-
22R	539039S	-
23L	539040S	-
23R	539041S	-
24L	539042S	-
24R	539043S	-
25L	539044SN	539044SW
25R	539045SN	539045SW
26L	539046SN	539046SW
26R	539047SN	539047SW
27L	539048SN	539048SW
27R	539049SN	539049SW
28L	539050SN	539050SW
28R	539051SN	539051SW
29L	-	539052S
29R	-	539053S
30L	-	539054S
30R	-	539055S

*For dark tone add suffix D

4 Carrier assembly

Size	Rate	1	2	3	4
Small: 22, 23 & 24	539062	539063	539064	539065	539066
Medium: 25 & 26	539066	539067	539068	539069	539070
Large: 27 to 30	539070	539071	539072	539073	539074

Instructions for use 938315S



Biomimetic hydraulic ankle/foot with shock absorber, rotation and split toe for terrain conformance.

Echelon^{VT}

Features

- Hydraulic control of dorsiflexion and plantar flexion
- Dorsi-flexed toe for swing phase
- Rotation and vertical shock absorption
- Tripod action for conformance and vertical compliance
- Smooth hydraulic and spring action
- Slimline foot design
- Responsive e-carbon foot springs
- Sandal Toe Foot Shell

Foot Shell and Glide Sock included.



Specifications

Max. Amputee weight:	125kg
Activity Level:	(2), 3, (4*)
Size Range:	22cm-30cm
Component Weight:	855g†
Build Height:	168mm sizes 22-24 173mm sizes 25-26 178mm sizes 27-30
Heel Height:	10mm



Suitable for outdoor use

Order Example

Product Code	Size	Side	Width*	Spring Set	Axial Spring	Sandal Toe
ECVT	25	L	N	5	3	S

*Narrow (N) and Wide (W) available for sizes 25-28 only.†

For dark tone add suffix D.

Example: foot size 25, left, narrow, spring rating 5, axial spring 3, sandal toe

Accessories

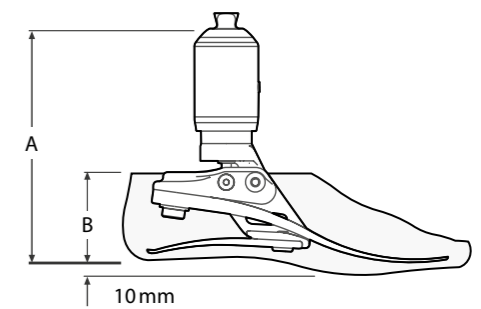
Alignment Wedge 940093



Foot Shell Cover 539096



Build Height



Size	A	Size	B
22-24	168mm	22-26	65mm
25-26	173mm	27-28	70mm
27-30	178mm	29-30	75mm

Build part numbers are for assembly guidance only and may not be for sale separately.

Activity Level 2 and 4* users who would benefit from this foot will require softer or stiffer springs as appropriate for the individual.

Spring set recommendations are for trans-tibial users. For trans-femoral we suggest selecting a spring set one level lower.

Activity	User Weight								
	44-52 100-115	53-59 116-130	60-68 131-150	69-77 151-170	78-88 171-195	89-100 196-220	101-116 221-255	117-125 256-275	kg lbs
3	1	2	3	4	5	6	7	8	Foot spring set
		•	••	•••	••••	•••••	••••••	•••••••	◀ Axial shock spring rate indicated as shown
	1		2		3		4		◀ Axial spring

*Maximum user weight 100 kg and always use one higher spring rate category than shown in Spring selection table.

†Component weight shown is for a size 26cm without foot shell.

Echelon

1 Spring Kits

Foot Size	Foot size	Foot size	Foot size
22-24	25-26	27-28	29-30
Set 1 - 539801S	Set 1 - 539810S	Set 1 - 539819S	Set 1 - 539828S
Set 2 - 539802S	Set 2 - 539811S	Set 2 - 539820S	Set 2 - 539829S
Set 3 - 539803S	Set 3 - 539812S	Set 3 - 539821S	Set 3 - 539830S
Set 4 - 539804S	Set 4 - 539813S	Set 4 - 539822S	Set 4 - 539831S
Set 5 - 539805S	Set 5 - 539814S	Set 5 - 539823S	Set 5 - 539832S
Set 6 - 539806S	Set 6 - 539815S	Set 6 - 539824S	Set 6 - 539833S
Set 7 - 539807S	Set 7 - 539816S	Set 7 - 539825S	Set 7 - 539834S
Set 8 - 539808S	Set 8 - 539817S	Set 8 - 539826S	Set 8 - 539835S

2 Glide Sock:

Size 22-26	531011
Size 27-30	532811

3 Foot Shells:*

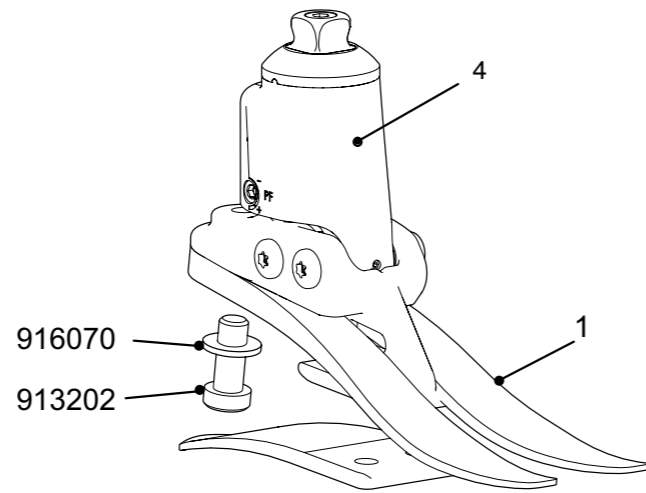
Foot size Left/Right	Narrow	Wide
22L	539038S	-
22R	539039S	-
23L	539040S	-
23R	539041S	-
24L	539042S	-
24R	539043S	-
25L	539044SN	539044SW
25R	539045SN	539045SW
26L	539046SN	539046SW
26R	539047SN	539047SW
27L	539048SN	539048SW
27R	539049SN	539049SW
28L	539050SN	539050SW
28R	539051SN	539051SW
29L	-	539052S
29R	-	539053S
30L	-	539054S
30R	-	539055S

*For dark tone add suffix D

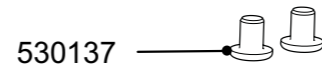
4 Carrier Assembly:

Small 22-24	409263
Medium 25-26	409363
Large 27-30	409463

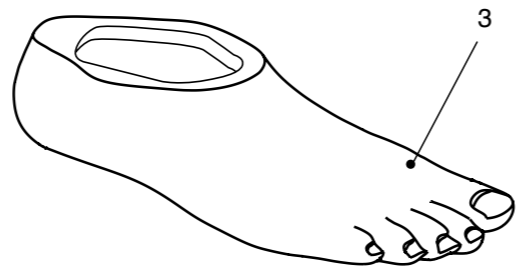
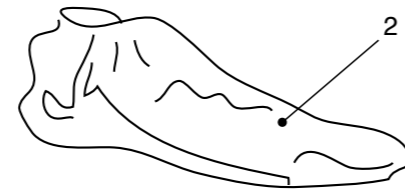
Instructions for use 938280S



916070
913202



530137



Biomimetic hydraulic ankle control and split toe for stability on uneven or sloping terrain.

Echelon

Features

- Independent hydraulic control of plantar and dorsiflexion
- Biomimetic design simulates natural ankle motion
- Toe up for swing through clearance
- Natural toe position for sitting
- e-carbon heel and toe springs
- Elegant and compact for cosmetic finish
- Sandal Toe Foot Shell

Foot Shell and Glide Sock included.



Specifications

Max. User Weight:	125kg
Activity Level:	(2), 3, (4*)
Size Range:	22cm-30cm
Component Weight:	688g [†]
Build Height:	115mm sizes 22-24 120mm sizes 25-26 125mm sizes 27-30
Heel Height:	10mm



Suitable for submersion

Order Example

Product Code	Size	Side	Width*	Spring Set	Sandal Toe
EC	25	L	N	3	S

*Narrow (N) and Wide (W) available for sizes 25-28 only.[‡]

For dark tone add suffix D.

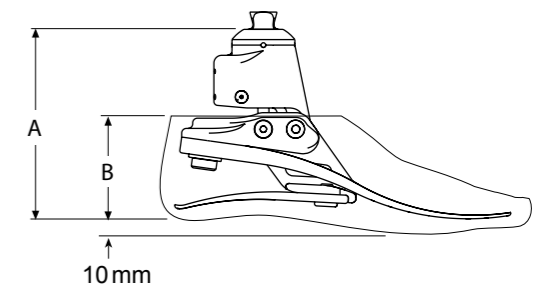
Example: foot size 25, left, narrow, spring rating 3, sandal toe.

Accessories

Alignment Wedge 940093



Build Height



Size	A	Size	B
22-24	115mm	22-26	65mm
25-26	120mm	27-28	70mm
27-30	125mm	29-30	75mm

Build part numbers are for assembly guidance only and may not be for sale separately.

Activity Level 2 and 4* users who would benefit from this foot will require softer or stiffer springs as appropriate for the individual. Refer to Instructions for Use for further information. Spring set recommendations are for trans-tibial users. For trans-femoral we suggest selecting a spring set one level lower.

Activity
3

User Weight

44-52	53-59	60-68	69-77	78-88	89-100	101-116	117-125	kg
100-115	116-130	131-150	151-170	171-195	196-220	221-255	256-275	lbs
1	2	3	4	5	6	7	8	Spring set

[†]Maximum user weight 100kg and always use one higher spring rate category than shown in the Spring Set Selection table.
[‡]Component weight shown is for a size 26cm without foot shell.

1 Spring Kits:

Foot Size	Foot Size	Foot Size	Foot Size
22-24	25-26	27-28	29-30
Set 1 - 539801S	Set 1 - 539810S	Set 1 - 539819S	Set 1 - 539828S
Set 2 - 539802S	Set 2 - 539811S	Set 2 - 539820S	Set 2 - 539829S
Set 3 - 539803S	Set 3 - 539812S	Set 3 - 539821S	Set 3 - 539830S
Set 4 - 539804S	Set 4 - 539813S	Set 4 - 539822S	Set 4 - 539831S
Set 5 - 539805S	Set 5 - 539814S	Set 5 - 539823S	Set 5 - 539832S
Set 6 - 539806S	Set 6 - 539815S	Set 6 - 539824S	Set 6 - 539833S
Set 7 - 539807S	Set 7 - 539816S	Set 7 - 539825S	Set 7 - 539834S
Set 8 - 539808S	Set 8 - 539817S	Set 8 - 539826S	Set 8 - 539835S

2 Glide Sock:

Size 22-26	531011
Size 27-30	532811

3 Foot Shells:*

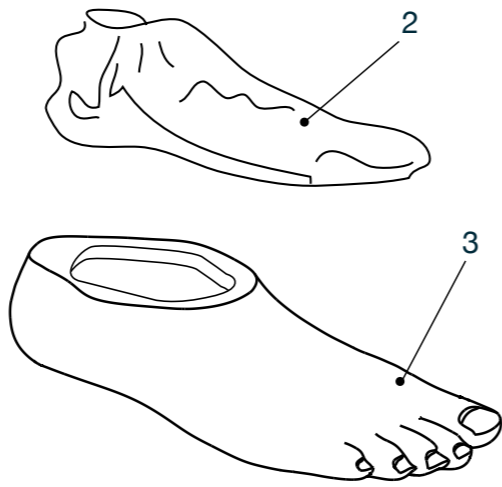
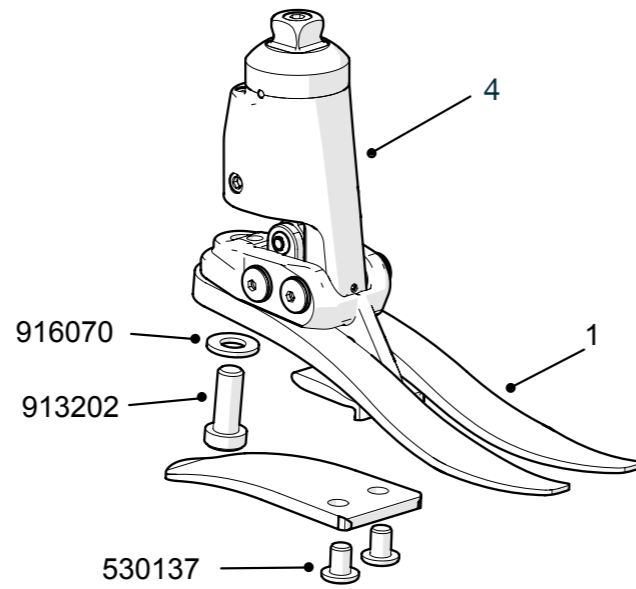
Foot size Left/Right	Narrow	Wide
22L	539038S	-
22R	539039S	-
23L	539040S	-
23R	539041S	-
24L	539042S	-
24R	539043S	-
25L	539044SN	539044SW
25R	539045SN	539045SW
26L	539046SN	539046SW
26R	539047SN	539047SW
27L	539048SN	539048SW
27R	539049SN	539049SW
28L	539050SN	539050SW
28R	539051SN	539051SW
29L	-	539052S
29R	-	539053S
30L	-	539054S
30R	-	539055S

*For dark tone add suffix D

4 Carrier Assembly

Small 22-24	409263ER
Medium 25-26	409363ER
Large 27-30	409463ER

EchelonER Instructions for Use 938449



Biomimetic hydraulic ankle with an extended range of ankle movement for increased stability on uneven and sloping terrain.

Features

- Unique and proven Echelon Technology
- Increased range of movement – 25° compared to Echelon's 9°
- Improved flexibility of footwear choice and the option of barefoot walking
- More natural and comfortable sitting position
- Robust and waterproof design
- Easier and more stable standing and sitting
- Specially designed pyramid interface to allow water to escape from within the tube
- Sandal Toe Foot Shell

Foot Shell and Glide Sock included.

Specifications

Max. User Weight:	125kg*
Activity Level:	(2), 3, (4**)
Size Range:	22cm-30cm
Component Weight:	770g†
Build Height:	142mm sizes 22-24 147mm sizes 25-26 152mm sizes 27-30
Heel Height:	10mm



Order Example

Product Code	Size	Side	Width*	Spring Set	Sandal Toe
ECER	25	L	N	3	S

*Narrow (N) and Wide (W) available for sizes 25-28 only.†
For dark tone add suffix D.
Example: foot size 25, left, narrow, spring rating 3, sandal toe.



Build Height

Size	A	Size	B
22-24	142mm	22-26	65mm
25-26	147mm	27-28	70mm
27-30	152mm	29-30	75mm

Accessories

Instructions for Use	938449
User Guide	938450
Alignment Wedge	940093
DF/PF Adjuster Key	940236

Build part numbers are for assembly guidance only and may not be for sale separately.

Activity Level 2 and 4** users who would benefit from this foot will require softer or stiffer springs as appropriate for the individual. Refer to Instructions for Use for further information. Spring set recommendations are for trans-tibial users. For trans-femoral we suggest selecting a spring set one level lower.

Activity	User Weight							
	44-52	53-59	60-68	69-77	78-88	89-100	101-116	117-125
3	1	2	3	4	5	6	7	8

Spring set

*Maximum user weight 100 kg and always use one higher spring rate category than shown in Spring selection table.
†Component weight shown is for a size 26cm without foot shell.

Elite² Schematics

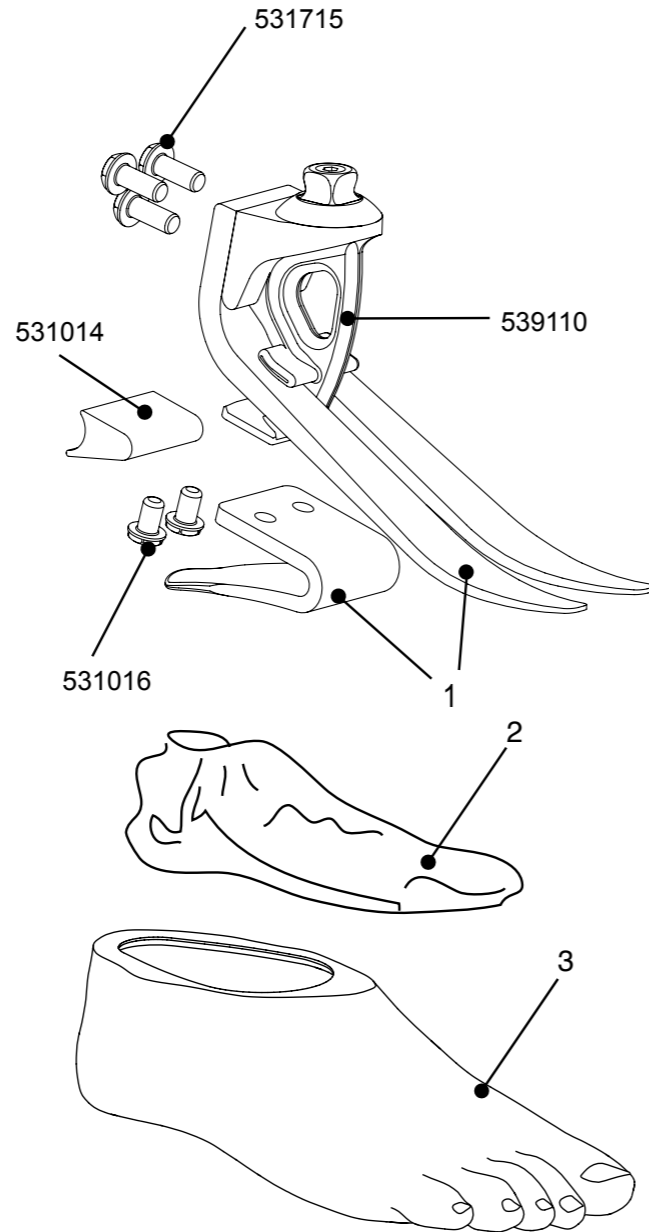
1 Spring Kits			
Foot Size	Foot Size	Foot Size	Foot Size
22-24	25-26	27-28	29-30
Set 1 - 539701S	Set 1 - 539710S	Set 1 - 539719S	Set 1 - Special
Set 2 - 539702S	Set 2 - 539711S	Set 2 - 539720S	Set 2 - Order only
Set 3 - 539703S	Set 3 - 539712S	Set 3 - 539721S	Set 3 - 539730S
Set 4 - 539704S	Set 4 - 539713S	Set 4 - 539722S	Set 4 - 539731S
Set 5 - 539705S	Set 5 - 539714S	Set 5 - 539723S	Set 5 - 539732S
Set 6 - 539706S	Set 6 - 539715S	Set 6 - 539724S	Set 6 - 539733S
Set 7 - 539707S	Set 7 - 539716S	Set 7 - 539725S	Set 7 - 539734S
Set 8 - 539708S	Set 8 - 539717S	Set 8 - 539726S	Set 8 - 539735S
Set 9 - -	Set 9 - 539718S	Set 9 - 539727S	Set 9 - 539736S

2 Glide Sock	
Size	Part Number
Size 22-26	531011
Size 27-30	532811

3 Foot Shells:*		
Foot size Left/Right	Narrow	Wide
22L	539038S	-
22R	539039S	-
23L	539040S	-
23R	539041S	-
24L	539042S	-
24R	539043S	-
25L	539044SN	539044SW
25R	539045SN	539045SW
26L	539046SN	539046SW
26R	539047SN	539047SW
27L	539048SN	539048SW
27R	539049SN	539049SW
28L	539050SN	539050SW
28R	539051SN	539051SW
29L	-	539052S
29R	-	539053S
30L	-	539054S
30R	-	539055S

*For dark tone add suffix D

Instructions for use 938223S



Lightweight activity foot for efficient energy return.

Elite²

Feet and Ankles

Features

- Enhanced e-carbon foot springs
- Ground compliance from Tripod System™
- Split toe
- Lightweight design
- Variable spring stiffness heel wedge
- Low build height and easy to finish
- Sandal Toe Foot shell

Foot Shell and Glide Sock included.



Specifications

Max. User Weight:	166kg
Activity Level:	(2), 3, 4
Size Range:	22cm-30cm
Component Weight:	420g†
Build Height:	130mm
Heel Height:	10mm

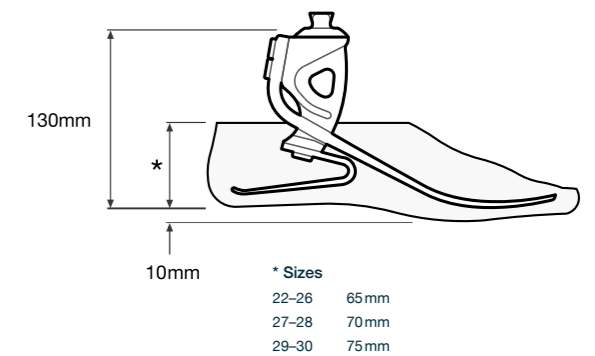


Order Example

Product Code	Size	Side	Width*	Spring Set	Sandal Toe
EL	25	L	N	5	S

*Narrow (N) and Wide (W) available for sizes 25-28 only.† For dark tone add suffix D. Foot example: Elite2, size 25, left, narrow, spring rating 5, sandal toe.

Build Height



Impact Activity	User Weight										Foot spring set
	44-52 100-115	53-59 116-130	60-68 131-150	69-77 151-170	78-88 171-195	89-100 196-220	101-116 221-255	117-130 256-285	131-147 286-325	148-166 326-365 lbs	
Low 3	1	1	2	3	4	5	6	7	8	9	
Mod 4	1	2	3	4	5	6	7	8	9	-	
High 4	2	3	4	5	6	7	8	9	-	-	

†Component weight shown is for a size 26cm without foot shell.

Build part numbers are for assembly guidance only and may not be for sale separately.

4
3
2

1 Spring Kits

Foot Size	Foot Size	Foot Size	Foot Size
22-24	25-26	27-28	29-30
Set 1 - 539701S	Set 1 - 539710S	Set 1 - 539719S	Set 1 - Special
Set 2 - 539702S	Set 2 - 539711S	Set 2 - 539720S	Set 2 - Order only
Set 3 - 539703S	Set 3 - 539712S	Set 3 - 539721S	Set 3 - 539730S
Set 4 - 539704S	Set 4 - 539713S	Set 4 - 539722S	Set 4 - 539731S
Set 5 - 539705S	Set 5 - 539714S	Set 5 - 539723S	Set 5 - 539732S
Set 6 - 539706S	Set 6 - 539715S	Set 6 - 539724S	Set 6 - 539733S
Set 7 - 539707S	Set 7 - 539716S	Set 7 - 539725S	Set 7 - 539734S
Set 8 - 539708S	Set 8 - 539717S	Set 8 - 539726S	Set 8 - 539735S
Set 9 - -	Set 9 - 539718S	Set 9 - 539727S	Set 9 - 539736S

2 Glide Sock

Size 22-26	531011
Size 27-30	532811

3 Foot Shells:*

Foot size	Left/Narrow	Wide
22L	539038S	-
22R	539039S	-
23L	539040S	-
23R	539041S	-
24L	539042S	-
24R	539043S	-
25L	539044SN	539044SW
25R	539045SN	539045SW
26L	539046SN	539046SW
26R	539047SN	539047SW
27L	539048SN	539048SW
27R	539049SN	539049SW
28L	539050SN	539050SW
28R	539051SN	539051SW
29L	-	539052S
29R	-	539053S
30L	-	539054S
30R	-	539055S

*For dark tone add suffix D

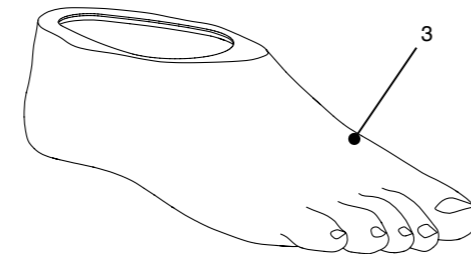
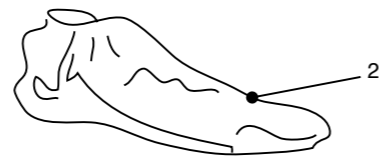
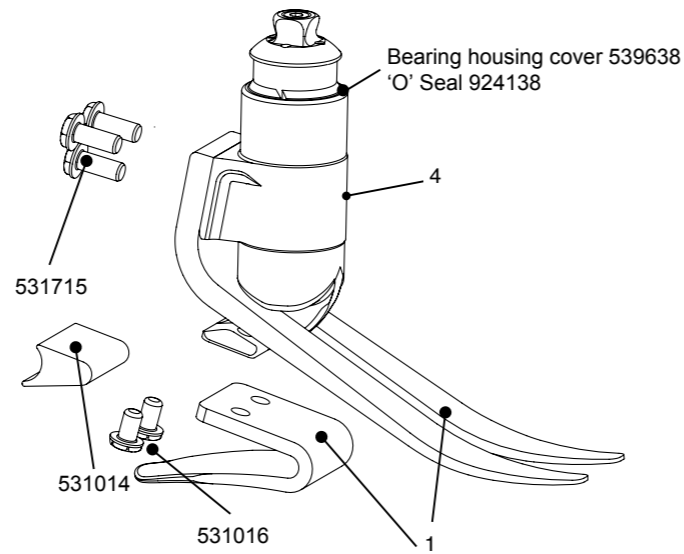
4 Carrier assembly

Axial Shock Springs (not shown)

Rate 1 - 539138	Rate 1 - 539058
Rate 2 - 539238	Rate 2 - 539059
Rate 3 - 539338	Rate 3 - 539060
Rate 4 - 539438	Rate 4 - 539061

Instructions for use

938289S



Active foot with integral shock absorption, rotation and flexibility.

Features

- Precision titanium spring for vertical compression and axial rotation
- Progressive response to axial loading
- Controlled and efficient energy return
- Independent e-carbon foot springs
- Variable spring stiffness heel wedge
- Compact, low maintenance and cosmetic
- Sandal Toe Foot shell

Foot Shell and Glide Sock included.



Specifications

Max. User Weight:	166kg
Activity Level:	3-4
Max. Rotation:	+/-15deg
Size Range:	22cm-30cm
Component Weight:	750g [†]
Build Height:	170mm
Heel Height:	10mm



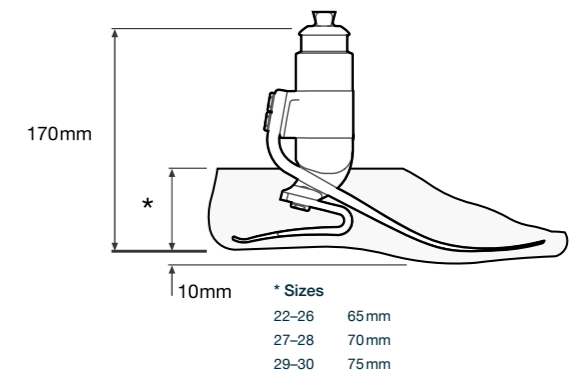
Suitable for outdoor use

Order Example

Product Code	Size	Side	Width*	Spring Set	Shock Spring	Sandal Toe
EVT	25	L	N	7	3	S

*Narrow (N) and Wide (W) available for sizes 25-28 only.[□]
For dark tone add suffix D. Foot example: EliteVT, size 25, left, narrow, spring set 7, shock spring 3, sandal toe.

Build Height



Build part numbers are for assembly guidance only and may not be for sale separately.

Impact Activity	User Weight									
	44-52 100-115	53-59 116-130	60-68 131-150	69-77 151-170	78-88 171-195	89-100 196-220	101-116 221-255	117-130 256-285	131-147 286-325	148-166 326-365
Low 3	1	1	2	3	4	5	6	7	8	9
Mod 4	1	2	3	4	5	6	7	8	9	-
High 4	2	3	4	5	6	7	8	9	-	-

Spring set recommendations are for trans-tibial users. For trans-femoral use we suggest selecting a spring set one level lower.

Axial shock rate spring indicated as shown
 Axial shock spring

[†]Component weight shown is for a size 26cm without foot shell.

Epirus Schematics

1 Spring Kits			
Foot Size	Foot Size	Foot Size	Foot Size
22-24	25-26	27-28	29-30
Set 1 - 539801S	Set 1 - 539810S	Set 1 - 539819S	Set 1 - 539828S
Set 2 - 539802S	Set 2 - 539811S	Set 2 - 539820S	Set 2 - 539829S
Set 3 - 539803S	Set 3 - 539812S	Set 3 - 539821S	Set 3 - 539830S
Set 4 - 539804S	Set 4 - 539813S	Set 4 - 539822S	Set 4 - 539831S
Set 5 - 539805S	Set 5 - 539814S	Set 5 - 539823S	Set 5 - 539832S
Set 6 - 539806S	Set 6 - 539815S	Set 6 - 539824S	Set 6 - 539833S
Set 7 - 539807S	Set 7 - 539816S	Set 7 - 539825S	Set 7 - 539834S
Set 8 - 539808S	Set 8 - 539817S	Set 8 - 539826S	Set 8 - 539835S

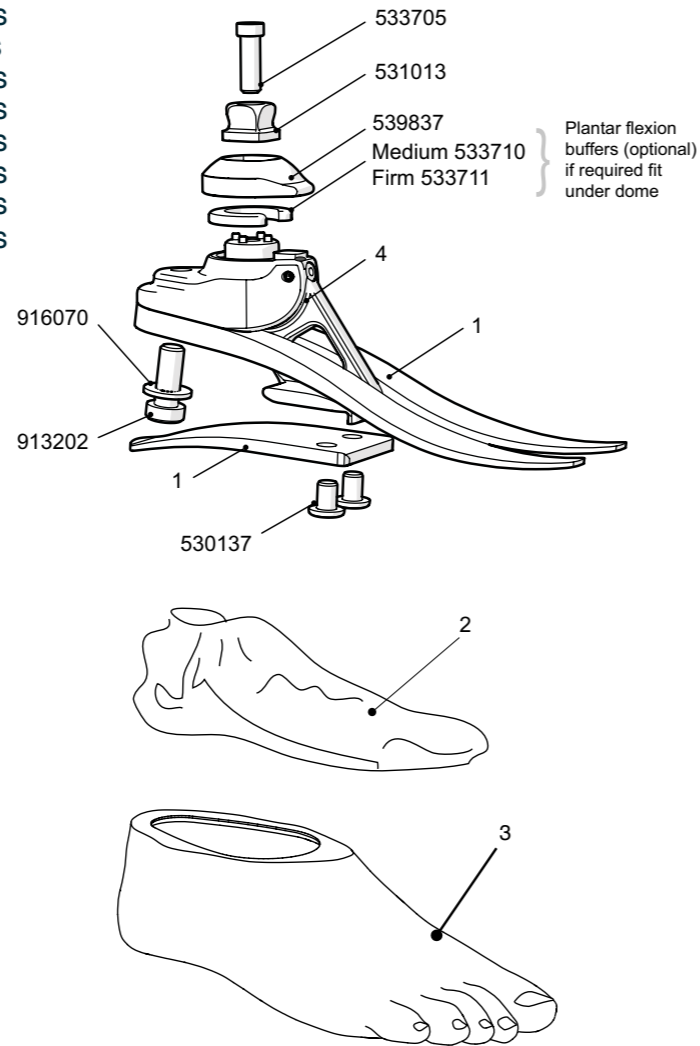
2 Glide Sock	
Sizes	Part Number
Sizes 22 to 26	531011
Sizes 27 to 30	532811

3 Foot Shells:*		
Foot size Left/Right	Narrow	Wide
22L	539038S	-
22R	539039S	-
23L	539040S	-
23R	539041S	-
24L	539042S	-
24R	539043S	-
25L	539044SN	539044SW
25R	539045SN	539045SW
26L	539046SN	539046SW
26R	539047SN	539047SW
27L	539048SN	539048SW
27R	539049SN	539049SW
28L	539050SN	539050SW
28R	539051SN	539051SW
29L	-	539052S
29R	-	539053S
30L	-	539054S
30R	-	539055S

*For dark tone add suffix D

4 Carrier Assembly	
Size	Part Number
Small 22-24	539437
Medium 25-26	539537
Large 27-30	539637

Instructions for use	Part Number
Instructions for use	938276S



Low profile foot with ankle joint and split toe.

Epirus

Features

- Multi-axial ankle motion with tripod stability
- Independent e-carbon foot springs
- Choice of PF stiffness
- Ground compliance and energy efficient response
- Sandal Toe Foot Shell

Foot Shell and Glide Sock included.



Specifications

Max. User Weight:	125kg
Activity Level:	(2), 3, (4*)
Size Range:	22cm-30cm
Component Weight:	400g [†]
Build Height:	85mm
Heel Height:	10mm



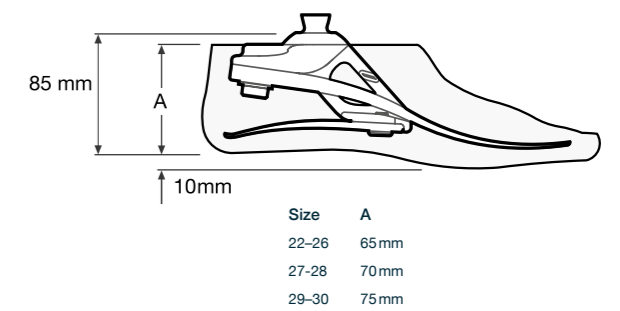
Suitable for outdoor use

Order Example

Product Code	Size	Side	Width*	Spring Set	Sandal Toe
EP	25	L	N	3	S

*Narrow (N) and Wide (W) available for sizes 25-28 only.[‡]
For dark tone add suffix D.
Example: foot size 25, left, narrow, spring rating 3, sandal toe.

Build Height



Build part numbers are for assembly guidance only and may not be for sale separately.

Activity Level 2 and 4* users who would benefit from this foot will require softer or stiffer springs as appropriate for the individual. Refer to Instructions for Use for further information. Spring set recommendations are for trans-tibial users. For trans-femoral we suggest selecting a spring set one level lower.

Activity	User Weight							
	44-52	53-59	60-68	69-77	78-88	89-100	101-116	117-125
	kg							
	lbs							
3	1	2	3	4	5	6	7	8
	Spring set							

[†]Maximum user weight 100kg and always use one higher spring rate category than shown in the Spring Set Selection table.
[‡]Component weight shown is for a size 26cm without foot shell.

Esprit Schematics

1 Spring Kits

Foot Size	Foot Size	Foot Size	Foot Size
22-24	25-26	27-28	29-30
Set 1 - 539801S	Set 1 - 539810S	Set 1 - 539819S	Set 1 - 539828S
Set 2 - 539802S	Set 2 - 539811S	Set 2 - 539820S	Set 2 - 539829S
Set 3 - 539803S	Set 3 - 539812S	Set 3 - 539821S	Set 3 - 539830S
Set 4 - 539804S	Set 4 - 539813S	Set 4 - 539822S	Set 4 - 539831S
Set 5 - 539805S	Set 5 - 539814S	Set 5 - 539823S	Set 5 - 539832S
Set 6 - 539806S	Set 6 - 539815S	Set 6 - 539824S	Set 6 - 539833S
Set 7 - 539807S	Set 7 - 539816S	Set 7 - 539825S	Set 7 - 539834S
Set 8 - 539808S	Set 8 - 539817S	Set 8 - 539826S	Set 8 - 539835S

2 Glide Sock

Sizes 22 to 26	531011
Sizes 27 to 30	532811

3 Foot Shells:*

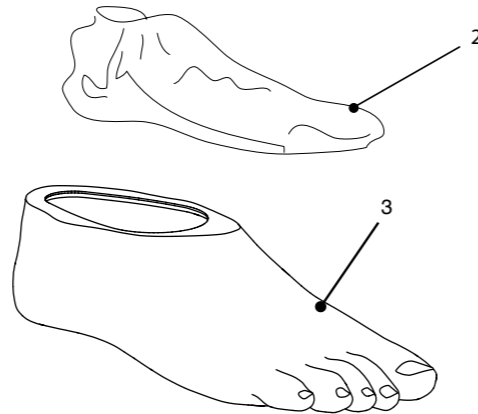
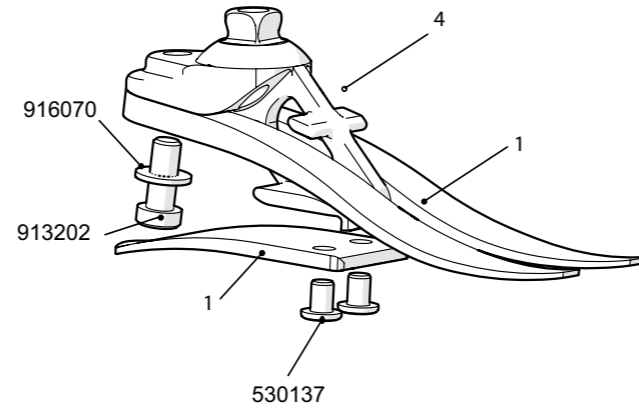
Foot size Left/Right	Narrow	Wide
22L	539038S	-
22R	539039S	-
23L	539040S	-
23R	539041S	-
24L	539042S	-
24R	539043S	-
25L	539044SN	539044SW
25R	539045SN	539045SW
26L	539046SN	539046SW
26R	539047SN	539047SW
27L	539048SN	539048SW
27R	539049SN	539049SW
28L	539050SN	539050SW
28R	539051SN	539051SW
29L	-	539052S
29R	-	539053S
30L	-	539054S
30R	-	539055S

*For dark tone add suffix D

4 Carrier Assembly

Small 22-24	539201
Medium 25-26	539210
Large 27-30	539219

Instructions for use 938264S



Low profile foot with split toe springs for energy response.

Features

- Low profile foot with e-carbon springs
- Lightweight and easy to finish
- Tripod design with split toe
- Ideal for longer residual limbs or where additional components are required
- Sandal Toe Foot Shell

Foot Shell and Glide Sock included.

Specifications

Max. User Weight:	125kg
Activity Level:	(2), 3, (4*)
Size Range:	22cm-30cm
Component Weight:	317g [†]
Build Height:	65mm size 22-24 70mm size 25-26 75mm size 27-30
Heel Height:	10mm



Order Example

Product Code	Size	Side	Width*	Spring Set	Sandal Toe
ESP	25	L	N	3	S

*Narrow (N) and Wide (W) available for sizes 25-28 only.[□]
For dark tone add suffix D.

Example: foot size 25, left, narrow, spring rating 3, sandal toe.

Build Height

Size	A	Size	B
22-24	65mm	22-26	65mm
25-26	70mm	27-28	70mm
27-30	75mm	29-30	75mm

Esprit



Build part numbers are for assembly guidance only and may not be for sale separately.

Activity Level 2 and 4* users who would benefit from this foot will require softer or stiffer springs as appropriate for the individual. Refer to Instructions for Use for further information. Spring set recommendations are for trans-tibial users. For trans-femoral we suggest selecting a spring set one level lower.

Activity	User Weight							
	44-52	53-59	60-68	69-77	78-88	89-100	101-116	117-125
3	1	2	3	4	5	6	7	8

Spring set

[†]Component weight shown is for a size 26cm without foot shell.

*Maximum user weight 100kg and always use one higher spring rate category than shown in the Spring Set Selection table.

Elite Blade Schematics

1 Spring Kits

Foot Size	Foot Size	Foot Size	Foot Size
22-24	25-26	27-28	29-30
Set 1 - 539901S	Set 1 - 539610S	Set 1 - 539619S	Set 1 - Special
Set 2 - 539902S	Set 2 - 539611S	Set 2 - 539620S	Set 2 - Order only
Set 3 - 539903S	Set 3 - 539612S	Set 3 - 539621S	Set 3 - 539630S
Set 4 - 539904S	Set 4 - 539613S	Set 4 - 539622S	Set 4 - 539631S
Set 5 - 539905S	Set 5 - 539614S	Set 5 - 539623S	Set 5 - 539632S
Set 6 - 539906S	Set 6 - 539615S	Set 6 - 539624S	Set 6 - 539633S
Set 7 - 539907S	Set 7 - 539616S	Set 7 - 539625S	Set 7 - 539634S
Set 8 - -	Set 8 - 539617S	Set 8 - 539626S	Set 8 - 539635S
Set 9 - -	Set 9 - 539618S	Set 9 - 539627S	Set 9 - 539636S

2 Glide Sock

Size 22-26	531011
Size 27-30	532811

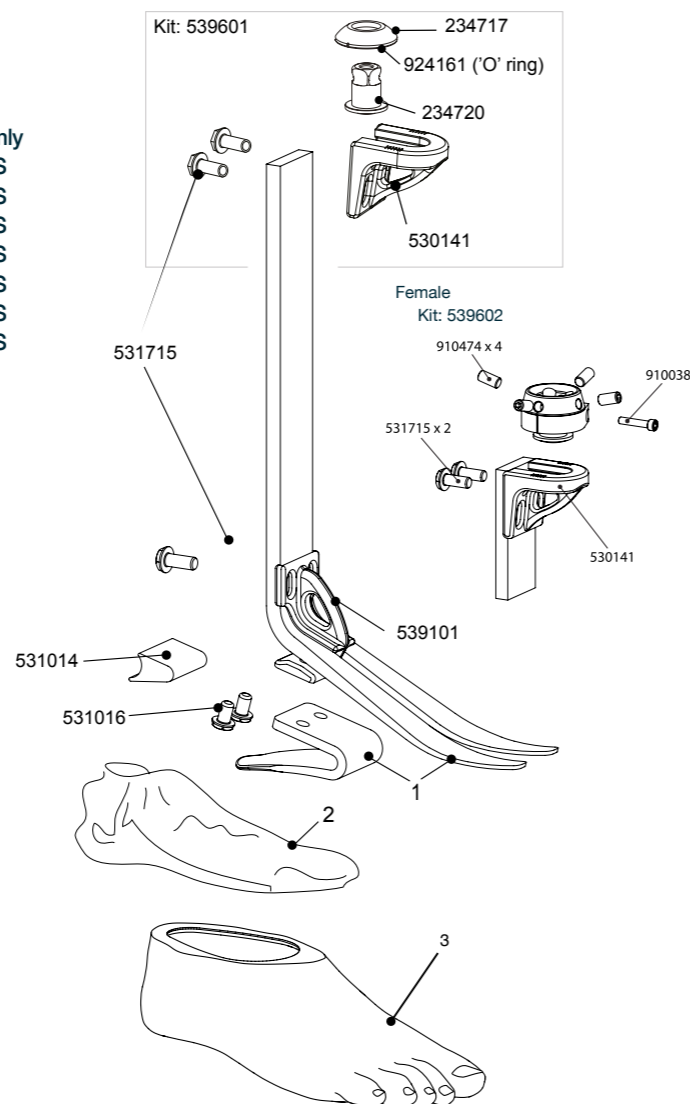
3 Foot Shells:*

Foot size Left/Right	Narrow	Wide
22L	539038S	-
22R	539039S	-
23L	539040S	-
23R	539041S	-
24L	539042S	-
24R	539043S	-
25L	539044SN	539044SW
25R	539045SN	539045SW
26L	539046SN	539046SW
26R	539047SN	539047SW
27L	539048SN	539048SW
27R	539049SN	539049SW
28L	539050SN	539050SW
28R	539051SN	539051SW
29L	-	539052S
29R	-	539053S
30L	-	539054S
30R	-	539055S

*For dark tone add suffix D

Fitting Clamp:
Elite Blade Cutting Jig 941255
Use also as cutting and drilling guide. Available separately.

Instructions For Use 938295S



Flexible and lightweight blade for high energy return.

Features

- e-carbon foot with independent springs
- Lightweight with dynamic forward progression
- Spring range from low to high impact
- Variable spring stiffness heel wedge
- Male or female sliding & rotating housings
- Sandal Toe Foot shell

Foot Shell and Glide Sock included.

Specifications

Max. User Weight:	166kg
Activity Level:	3-4
Size Range:	22cm-30cm
Component Weight:	500g [†]
Build Height:	200mm - 365mm (min - max)
Heel Height:	10mm

Suitable for submersion

Order Example

Product Code	Size	Side	Width*	Spring Set	Sandal Toe	+ Top Housing
EB	25	L	N	5	S	539601: Blade top housing TT male - sliding & rotating 539602: Blade top housing TT female - sliding & rotating

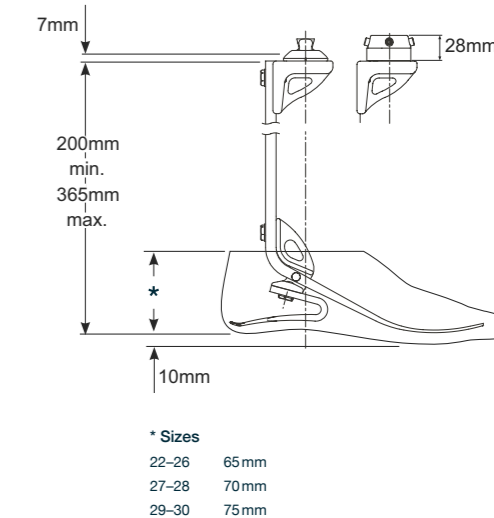
*Narrow (N) and Wide (W) available for sizes 25-28 only.[†]
For dark tone add suffix D. Foot examples: Elite Blade, size 25 left, narrow, spring rating 5, sandal toe.

Accessories

Foot Shell Cover	539087	
Top housing male	539601	
Top housing female	539602	



Build Height



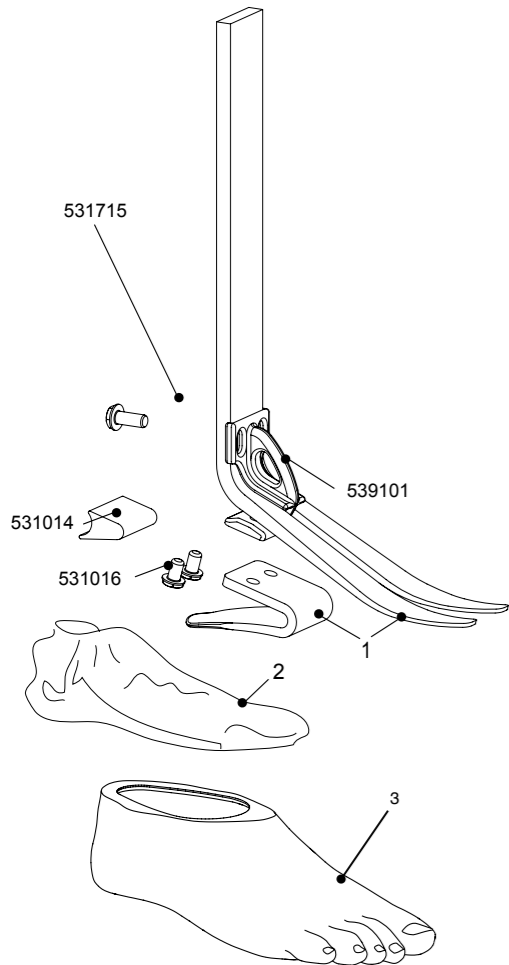
Build part numbers are for assembly guidance only and may not be for sale separately.

Impact Activity	User Weight											Foot spring set
	44-52 100-115	53-59 116-130	60-68 131-150	69-77 151-170	78-88 171-195	89-100 196-220	101-116 221-255	117-130 256-285	131-147 286-325	148-166 326-365	kg lbs	
Low 3	1	1	2	3	4	5	6	7	8	9		
Mod 4	1	2	3	4	5	6	7	8	9	-		
High 4	2	3	4	5	6	7	8	9	-	-		

Spring set recommendations are for trans-tibial users. For trans-femoral use we suggest selecting a spring set one level lower.

[†]Component weight shown is for a size 26cm without foot shell.

Elite Blade^{VT} Schematics



1 Spring Kits			
Foot Size	Foot Size	Foot Size	Foot Size
22-24	25-26	27-28	29-30
Set 1 - 539901S	Set 1 - 539610S	Set 1 - 539619S	Set 1 - Special
Set 2 - 539902S	Set 2 - 539611S	Set 2 - 539620S	Set 2 - Order only
Set 3 - 539903S	Set 3 - 539612S	Set 3 - 539621S	Set 3 - 539630S
Set 4 - 539904S	Set 4 - 539613S	Set 4 - 539622S	Set 4 - 539631S
Set 5 - 539905S	Set 5 - 539614S	Set 5 - 539623S	Set 5 - 539632S
Set 6 - 539906S	Set 6 - 539615S	Set 6 - 539624S	Set 6 - 539633S
Set 7 - 539907S	Set 7 - 539616S	Set 7 - 539625S	Set 7 - 539634S
Set 8 - -	Set 8 - 539617S	Set 8 - 539626S	Set 8 - 539635S
Set 9 - -	Set 9 - 539618S	Set 9 - 539627S	Set 9 - 539636S

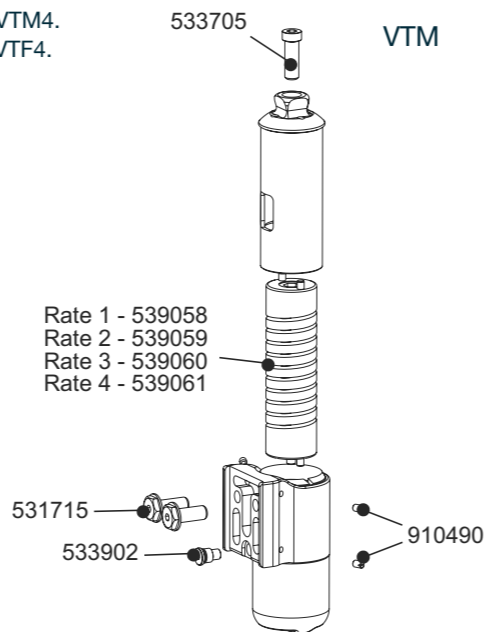
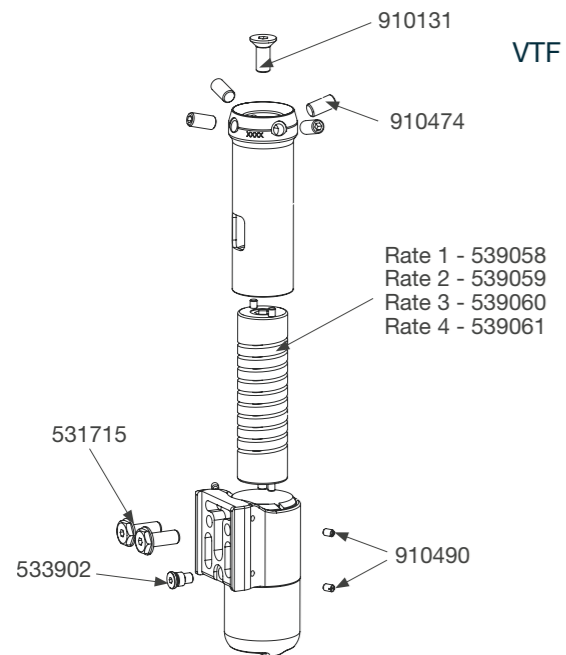
2 Glide Sock	
Size 22-26	531011
Size 27-30	532811

3 Foot Shells*		
Foot size Left/Right	Narrow	Wide
22L	539038S	-
22R	539039S	-
23L	539040S	-
23R	539041S	-
24L	539042S	-
24R	539043S	-
25L	539044SN	539044SW
25R	539045SN	539045SW
26L	539046SN	539046SW
26R	539047SN	539047SW
27L	539048SN	539048SW
27R	539049SN	539049SW
28L	539050SN	539050SW
28R	539051SN	539051SW
29L	-	539052S
29R	-	539053S
30L	-	539054S
30R	-	539055S

Fitting clamp - 941255 fitting clamp for alignment and set-up. Use also as cutting and drilling guide. Available separately

VT (male): VTM1, VTM2, VTM3, VTM4.
VT (female): VTF1, VTF2, VTF3, VTF4.
VT cutting jig - 941256

Instructions for Use:
Elite Blade 938295S
VTM 938312
VTF 938319
Cutting Jig 938314



Build part numbers are for assembly guidance only and may not be for sale separately.

Flexible blade with shock absorption and rotation device.

Features

- Powerful and dynamic forward progression
- Precision machined spring for vertical compression and axial rotation
- Controlled and efficient energy return
- Independent e-carbon foot springs
- Variable spring stiffness heel wedge
- Slimline design is easy to finish
- Sandal Toe Foot shell

Foot Shell and Glide Sock included.

Specifications

Max. User Weight:	166kg
Activity Level:	3-4
Max. Rotation:	+/-15deg
Size Range:	22cm-30cm
Component Weight:	1030g [†]
Build Height VTM:	215mm - 380mm (min - max)
Build Height VTF:	233mm - 398mm (min - max)
Heel Height:	10mm



Order Example

Product Code	Size	Side	Width*	Spring Selection	Sandal Toe	VT Component
EB	25	L	N	5	S	Male VTM1 or VTF1 Female VTM2 or VTF2 VTM3 or VTF3 VTM4 or VTF4

Please note this product will be supplied as two items.

*Narrow (N) and Wide (W) available for sizes 25-28 only.
For dark tone add suffix D. Foot example: Elite BladeVT, size 25, left, narrow, spring rating 5, sandal toe.

Accessories

Foot Shell Cover 539087



Impact Activity	User Weight											
	44-52 100-115	53-59 116-130	60-68 131-150	69-77 151-170	78-88 171-195	89-100 196-220	101-116 221-255	117-130 256-285	131-147 286-325	148-166 326-365 lbs		
Low 3	1	1	2	3	4	5	6	7	8	9		
Mod 4	1	2	3	4	5	6	7	8	9	-		
High 4	2	3	4	5	6	7	8	9	-	-		
	♣	♣	♣	♣	♣	♣	♣	♣	♣	♣		
	1	2	3	3	4	4	4	4	4	4		

Spring set recommendations are for trans-tibial users. For trans-femoral use we suggest selecting a spring set one level lower.

♣ Axial shock rate spring indicated as shown
♣ Axial shock spring

[†]Component weight shown is for a size 26cm without foot shell.

Elite Blade^{VT}

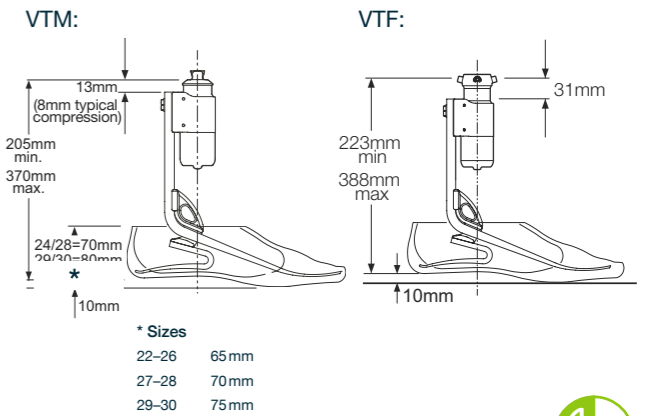


Tools



Cutting/drill & fitting jig VT 941256 Blade 941255

Build Height



4
3

Blade^{XT} Schematics

1 BXT Heel Spring Kits

Include the overmoulded cover, fasteners and heel wedge.

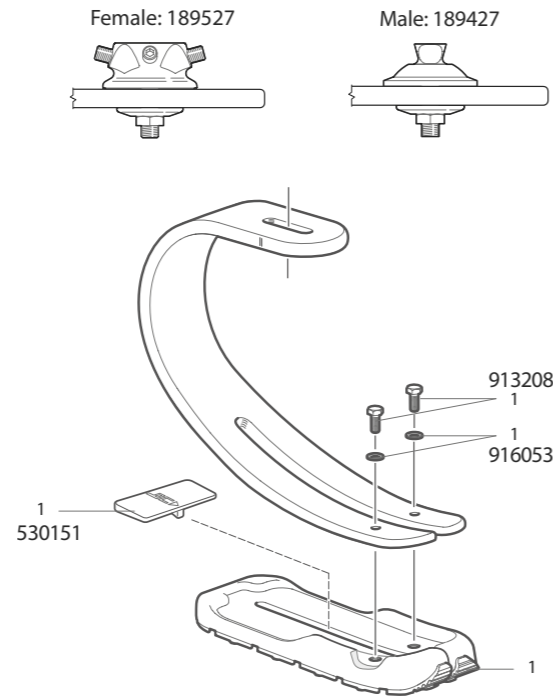
Spring Category	Heel Type	Part No.
1, 2	Soft Sports	539083SS
3, 4, 5	Medium Sports	539083MS
6, 7	Firm Sports	539083FS
8, 9	Extra Firm	539083EFS

Proximal Adapter

Male	189427
Female	189527

Instructions for use 938345

Build part numbers are for assembly guidance only and may not be for sale separately.



Sports blade with powerful twin toe spring and traction heel for postural support and grip.

Blade^{XT}

Features

- Ideal for cross training, running, bat and ball sports
- Controlled acceleration and deceleration
- Ease of alignment incl. A/P slide
- Variable spring stiffness heel wedge
- Heel stiffness adjustment

Specifications

Max. User Weight:	166kg
Activity Level:	4
Spring range:	1-9
Component Weight:	850g cat. 6
Build Height:	250mm (female pyramid) 230mm (male pyramid)



Suitable for submersion

Order Example

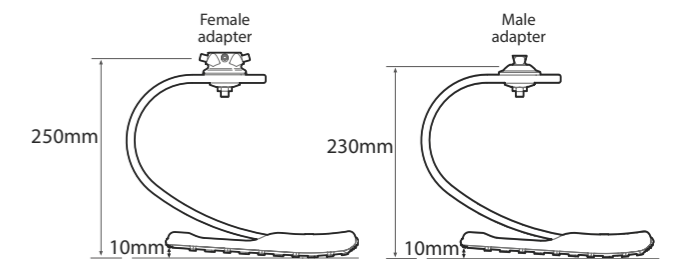
Product Code	Spring Set	Sole	Adapter Type
BXTAG	3	S	F

Foot example: BladeXT, spring rating 3, sport sole, female adapter

Product Code	Spring Set	Sole	Adapter Type
BXTAG	4	S	M

Foot example: BladeXT, spring rating 4, sport sole, male adapter

Build Height



User	Activity	User Weight											Foot spring set
		44-52	53-59	60-68	69-77	78-88	89-100	101-116	117-130	131-147	148-166	kg	
		100-115	116-130	131-150	151-170	171-195	196-220	221-255	256-285	286-325	326-365	lbs	
Jogger	4	1	2	3	4	5	6	7	8	9	9		
Runner	4	2	3	4	5	6	7	8	9	9	-		

Important: For higher impact users, do not exceed the weight limit for individual springs.

Javelin Schematics

1 Spring Kits:

Foot Size	Foot Size	Foot Size	Foot Size
22-24	25-26	27-28	29-30
Set 1 - 539301S	Set 1 - 539510S	Set 1 - 539519S	Special
Set 2 - 539302S	Set 2 - 539511S	Set 2 - 539520S	Order Only
Set 3 - 539303S	Set 3 - 539512S	Set 3 - 539521S	Set 3 - 539530S
Set 4 - 539304S	Set 4 - 539513S	Set 4 - 539522S	Set 4 - 539531S
Set 5 - 539305S	Set 5 - 539514S	Set 5 - 539523S	Set 5 - 539532S
Set 6 - 539306S	Set 6 - 539515S	Set 6 - 539524S	Set 6 - 539533S
Set 7 - 539307S	Set 7 - 539516S	Set 7 - 539525S	Set 7 - 539534S
Set 8 - 539308S	Set 8 - 539517S	Set 8 - 539526S	Set 8 - 539535S
Set 9 - -	Set 9 - 539518S	Set 9 - 539527S	Set 9 - 539536S

2 Glide Sock

Sizes 22 to 26	531011
Sizes 27 to 30	532811

3 Foot Shells:*

Foot size Left/Right	Narrow	Wide
22L	539038S	-
22R	539039S	-
23L	539040S	-
23R	539041S	-
24L	539042S	-
24R	539043S	-
25L	539044SN	539044SW
25R	539045SN	539045SW
26L	539046SN	539046SW
26R	539047SN	539047SW
27L	539048SN	539048SW
27R	539049SN	539049SW
28L	539050SN	539050SW
28R	539051SN	539051SW
29L	-	539052S
29R	-	539053S
30L	-	539054S
30R	-	539055S

*For dark tone add suffix D

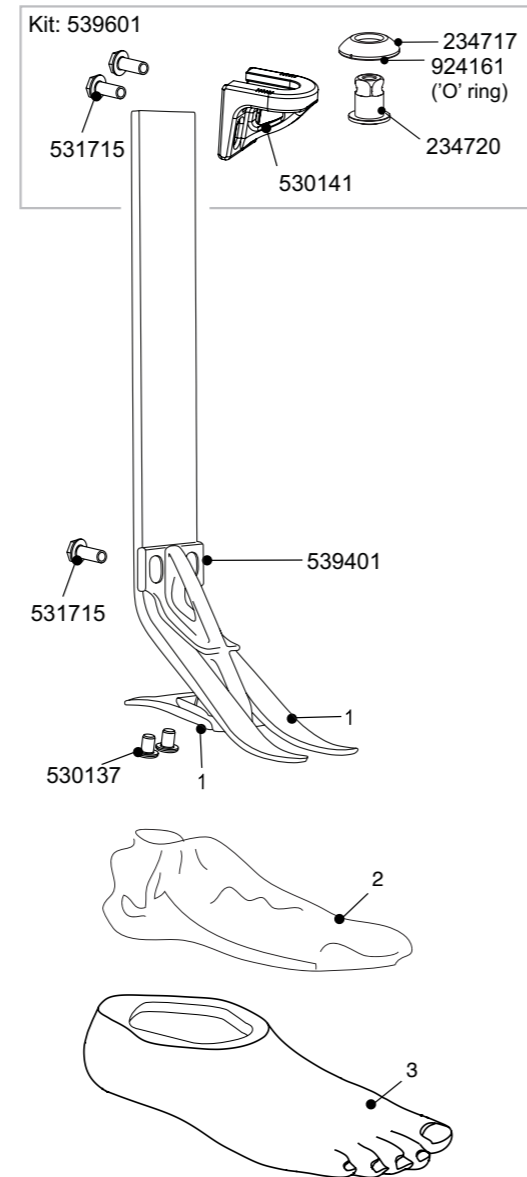
Fitting clamp - 941255 fitting clamp for alignment and set-up. Use also as cutting and drilling guide.

Available separately.

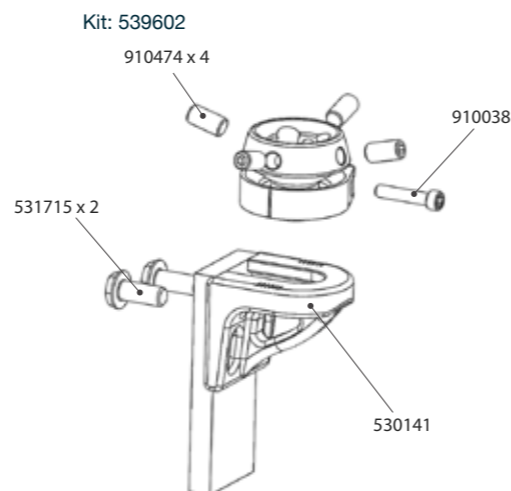
Tools:

Cutting/Drill & Jig Standard Instructions For Use	941255 938306S
---	-------------------

Male



Female



Lightweight blade, ideal for moderate impact sports and activities.

Features

- Small sizes available
- e-carbon foot with independent springs
- Dynamic pylon enhances shock absorption
- Easy to finish cosmetically
- Sandal Toe Foot Shell

Foot Shell and Glide Sock included.

Specifications

Max. User Weight:	166kg
Activity Level:	(2), 3, (4*)
Size Range:	22cm-30cm
Component Weight:	444g [†]
Build Height:	200mm - 365mm (min - max)
Heel Height:	10mm



Order Example

Product Code	Size	Side	Width*	Spring Set	Sandal Toe	+ Top Housing
JAV	25	L	N	3	S	539601: Blade top housing TT male - sliding & rotating 539602: Blade top housing TT female - sliding & rotating

*Narrow (N) and Wide (W) available for sizes 25-28 only.[‡]

For dark tone add suffix D.

Example: foot size 25, left, narrow, spring rating 3, sandal toe, adapter.

Accessories

Foot Shell Cover	539087	
Top housing male	539601	
Top housing female	539602	

Activity Level 2 users who would benefit from this foot will require softer springs as appropriate for the individual. Refer to Instructions for Use for further information.

Spring set recommendations are for trans-tibial users. For trans-femoral we suggest selecting a spring set one level lower.

Activity	User Weight									Spring set	
	44-52	53-59	60-68	69-77	78-88	89-100	101-116	117-130	131-147	148-166 kg	
	100-115	116-130	131-150	151-170	171-195	196-220	221-255	256-285	286-325	326-365 lbs	
3	1	1	2	3	4	5	6	7	8	9	

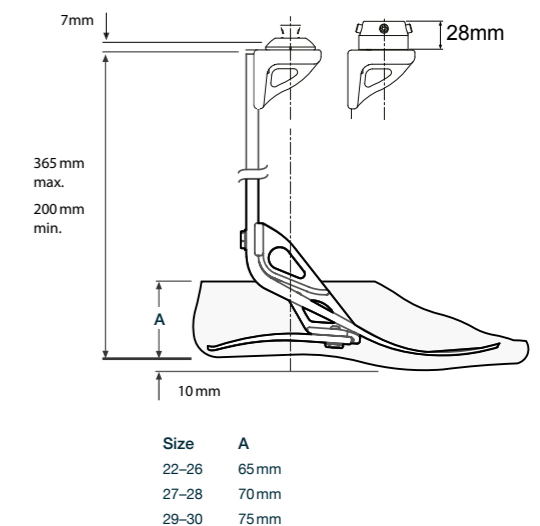
[†]Maximum user weight 100 kg and always use one higher spring rate category than shown in Spring selection table.

[‡]Component weight shown is for a size 26cm without foot shell.

Javelin



Build Height



Build part numbers are for assembly guidance only and may not be for sale separately.

Avalon^{K2} Schematics

1. Glide Sock, Sizes 22-30

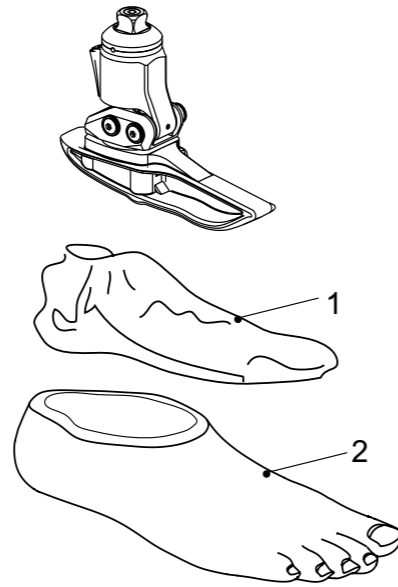
405815

2. Foot Shell*

Left	Part Number	Right	Part Number
22L	539020	22R	539021
23L	539022	23R	539023
24L	539024	24R	539025
25L	539026	25R	539027
26L	539028	26R	539029
27L	539030	27R	539031
28L	539032	28R	539033
29L	539034	29R	539035
30L	539036	30R	539037

*For dark tone add suffix D

Hex Key 2.5mm AF	940234
Instructions for use	938327



Hydraulic ankle/foot with ergonomic keel for better posture, stability and joint position.

Features

- Ergonomic keel for ease of rollover
- Increased range of motion to enable greater sit-stand transfer safety
- Increased shock absorption, reduction in interface pressures
- Increased toe clearance in swing phase
- Plantar flexion compliance when descending steps
- Sandal toe

Foot Shell and Glide Sock included.

Specifications

Max. User Weight:	150kg
Activity Level:	2
Size Range:	22-30cm
Component Weight:	520g [†]
Build Height:	115mm
Heel Height:	10mm
Range of Ankle Motion:	6° plantar to 6° dorsiflexion



Suitable for submersion

Order Example

Product Code	Size	Side
AV	25	L

For dark tone add suffix D.
Foot example: AvalonK2 size 25 left.

Accessories

Alignment Wedge 940093

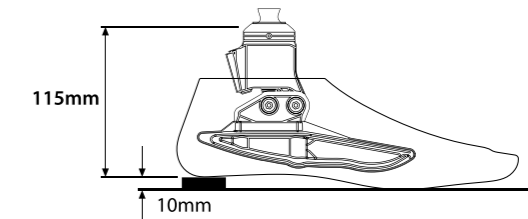


Avalon^{K2}



Build part numbers are for assembly guidance only and may not be for sale separately.

Build Height



[†]Component weight shown is for a size 26cm without foot shell.

AvalonK2^{VAC} Schematics

1. Glide Sock, Sizes 24-30

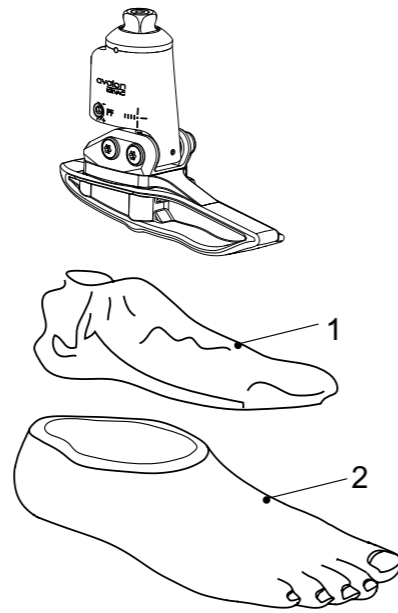
405815

2. Foot Shell*

Left	Part Number	Right	Part Number
24L	539024	24R	539025
25L	539026	25R	539027
26L	539028	26R	539029
27L	539030	27R	539031
28L	539032	28R	539033
29L	539035	29R	539035
30L	539036	30R	539037

*For dark tone add suffix D

DF/PF Adjuster Key 940236
Instructions for use 938432



Hydraulic ankle/foot with the added functionality of elevated vacuum. The ergonomic keel provides better posture, stability and joint position.

Features

- Biomimetic Hydraulic Technology with integrated elevated vacuum
- Walking motion generates a natural vacuum
- No power required, quiet gentle operation
- Ergonomic keel for ease of rollover
- Increased shock absorption, reduction in interface pressures
- Increased toe clearance in swing phase
- Plantar flexion compliance when descending steps
- Sandal toe

Foot Shell and Glide Sock included.

Specifications

Max. User Weight:	150kg
Activity Level:	2
Size Range:	24-30cm
Component Weight:	583g [†]
Build Height:	122mm
Heel Height:	10mm
Range of Ankle Motion:	6° plantar to 3° dorsiflexion



Suitable for outdoor use

Order Example

Product Code	Size	Side
AVAC	24	L

For dark tone add suffix D.

Foot example: Avalonk2VAC size 24L.

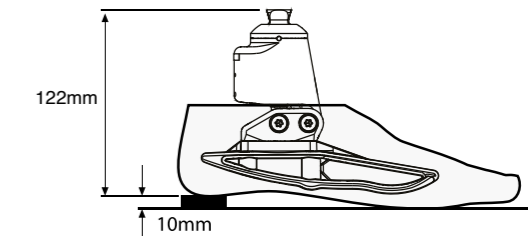
Accessories

Alignment Wedge	940093	
Socket Connection Kit	409663	

AvalonK2^{VAC}

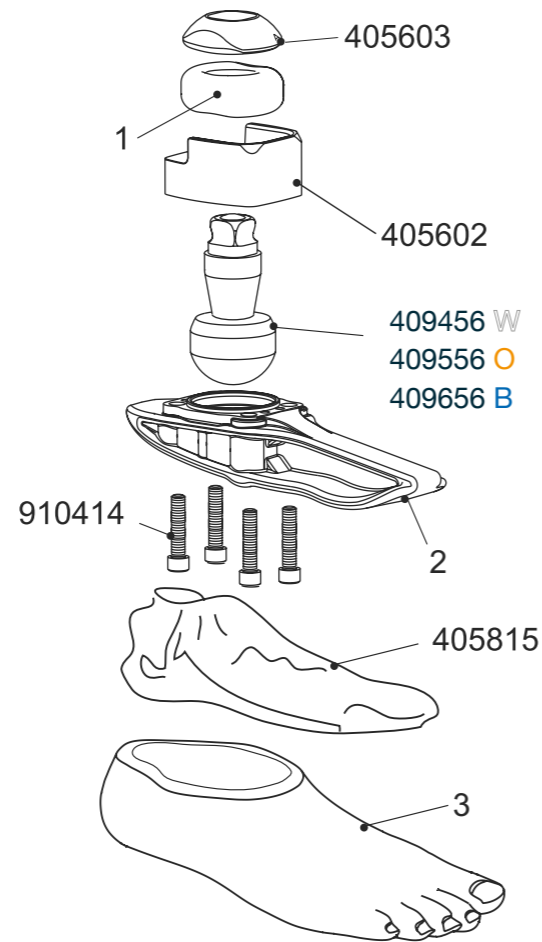


Build Height



Navigator Schematics

1 Snubber Kits			
60° (white)			405605
70° (orange)			405606
80° (blue)			405607
2 Keel			
Small			405619
Medium			405719
Large			405819
Extra Large			405919
3 Foot Shell*			
Left	Part Number	Right	Part Number
22L	539020	22R	539021
23L	539022	23R	539023
24L	539024	24R	539025
25L	539026	25R	539027
26L	539028	26R	539029
27L	539030	27R	539031
28L	539032	28R	539033
29L	539034	29R	539035
30L	539036	30R	539037
*For dark tone add suffix D			
Cone tool (for assembly)			940083
Instructions for use			938247



Multi-axial foot with flexible keel for comfort and stability.

Features

- Multi-axial flexible keel
- Short keel optimized for K2 gait and transfer
- Integrated ankle joint
- Choice of ankle stiffness
- Sandal toe

Foot Shell and Glide Sock included.

Specifications

Max. User Weight:	125kg
Activity Level:	1-3
Size Range:	22cm-30cm
Component Weight:	350g [†]
Build Height:	95mm
Heel Height:	10mm

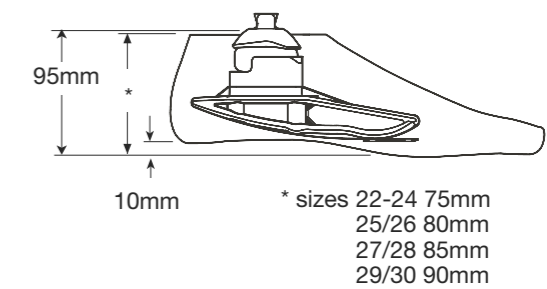


Order Example

Product Code	Size	Side	Ball	Snubber
NAV	25	L	W	O

For dark tone add suffix D. Foot example: Navigator, size 25 left, ball rating white, snubber rating orange.

Build Height

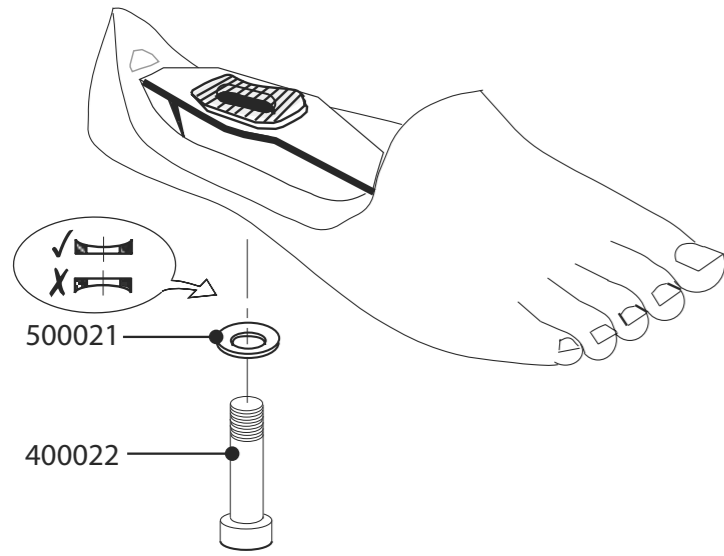


Build part numbers are for assembly guidance only and may not be for sale separately.

Activity	User Weight							Ball and snubber
	44-52 100-115	53-59 116-130	60-68 131-150	69-77 151-170	78-88 171-195	89-100 196-220	101-125 221-275	
1	WW	WW	WW	WO	OO	OB	BB	1 2
2	WW	WW	WO	OO	OB	BB	BB	

[†]Component weight shown is for a size 26cm without foot shell.

Multiflex Standard Schematics



The Multiflex foot and ankle provides the level 1-2 user with multi-axial motion for comfort and stability.

Multiflex Standard

Features

- Multi-axial function
- Low profile
- Sandal toe

Specifications

Max. User Weight:	125kg
Activity Level:	1-2
Size Range:	22cm-30cm
Component Weight:	375g [†]
Build Height:	40mm
Heel Height:	20 ± 15mm

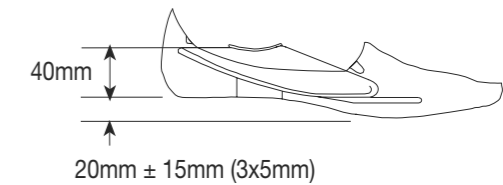
Suitable for outdoor use

Part Numbers

Size	Left	Right
22cm	519119	519120
23cm	519121	519122
24cm	519123	519124
25cm	519125	519126
26cm	519127	519128
27cm	519129	519130
28cm	519131	519132
29cm	519133	519134
30cm	519135	519136



Build Height



Ankle Part Number and Description	Snubber Part Number and Description	Max. User Weight/Activity Level	Build Height	Material	Weight
379342 Multiflex ankle W 30mm	409007 - snubber W 60° 409008 - snubber O 70° 409009 - snubber B 80°	125kg / 1-2	60mm	Aluminium	201g
379343 Multiflex ankle O 30mm					
379344 Multiflex ankle B 30mm					
409353 Pyramid Multiflex W	409007 - snubber W 60° 409008 - snubber O 70° 409009 - snubber B 80°	125kg / 1-2	58mm	Aluminium & Stainless Steel	199g
409354 Pyramid Multiflex O					
409355 Pyramid Multiflex B					

Light duty snubber kits are available:

- 409002 Light duty snubber W 60°
- 409003 Light duty snubber O 70°
- 409004 Light duty snubber B 80°

Ankle and snubber selection

				Ankle
				Snubber
60kg	80kg	100kg	125kg	

Snubber for standard ankle:

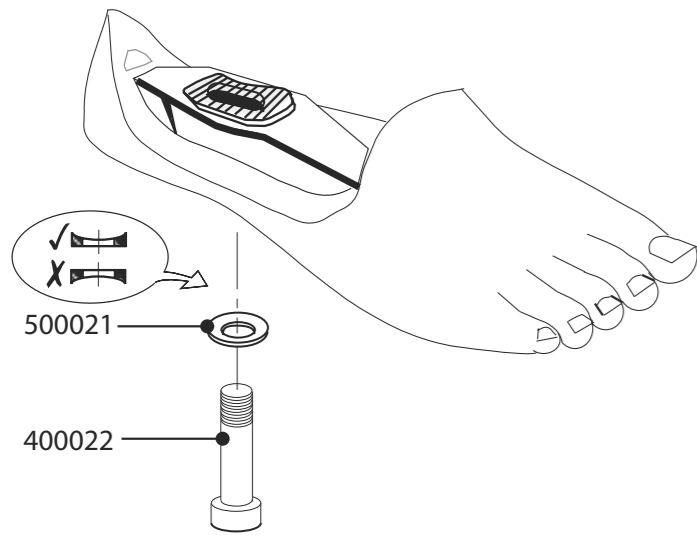
Multiflex ankle and snubber selection.

Activity	Max. User Weight				kg lbs	Ball and snubber
	60	80	100	125		
1-2	WW	WO	OO	BB		

Build part numbers are for assembly guidance only and may not be for sale separately.

[†]Component weight shown is for a size 26cm.

Multiflex Slim Schematics



Instructions for use 938016

Cosmesis options refer to page 118.

Build part numbers are for assembly guidance only and may not be for sale separately.

The Multiflex foot and ankle in a slimmer width. Additional heel height capacity allows for a higher heel.

Multiflex Slim

Features

- Multi-axial function
- Low profile
- Sandal toe

Specifications

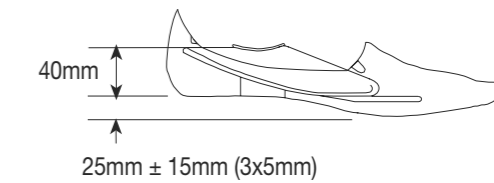
Max. User Weight:	125kg
Activity Level:	1-2
Size Range:	22cm-25cm
Component Weight:	375g [†]
Build Height:	40mm
Heel Height:	25 ± 15mm



Part Numbers

Size	Left	Right
22cm	519141	519142
23cm	519143	519144
24cm	519145	519146
25cm	519147	519148

Build Height



Ankle Part Number and Description	Snubber Part Number and Description	Max. User Weight/ Activity Level	Build Height	Material	Weight
379342 Multiflex ankle W 30mm 379343 Multiflex ankle O 30mm 379344 Multiflex ankle B 30mm	409007 - snubber W 60° 409008 - snubber O 70° 409009 - snubber B 80°	125kg / 1-2	60mm	Aluminium	201g
409353 Pyramid Multiflex W 409354 Pyramid Multiflex O 409355 Pyramid Multiflex B	409007 - snubber W 60° 409008 - snubber O 70° 409009 - snubber B 80°	125kg / 1-2	58mm	Aluminium & Stainless Steel	199g

Light duty snubber kits are available:

- 409002 Light duty snubber W 60°
- 409003 Light duty snubber O 70°
- 409004 Light duty snubber B 80°

Ankle and snubber selection

●	●	●	●	Ankle
●	●	●	●	Snubber
60kg	80kg	100kg	125kg	

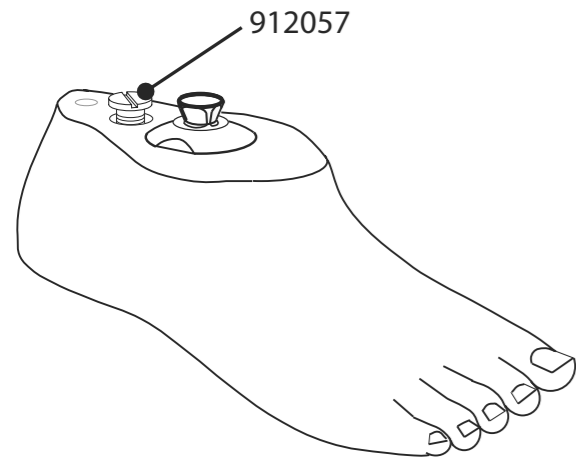
Snubber for standard ankle:

Multiflex ankle and snubber selection.

Activity	Max. User Weight				kg	lbs
	60	80	100	125		
1-2	WW	WO	OO	BB	Ball and snubber	

[†]Component weight shown is for a size 25cm.

SuperSACH Schematics



Instructions for use

938086

A cushioned foot with flexible keel and adjustable heel cushion for level 1-2 users.

Features

- Adjustable heel cushion
- Sandal toe
- Integrated pyramid

Specifications

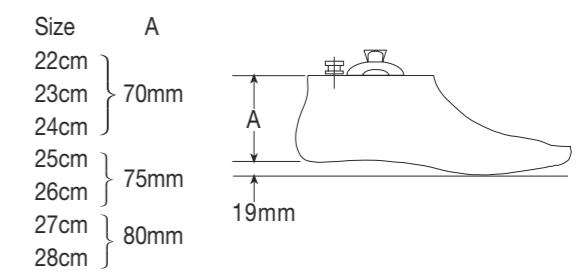
Max. User Weight:	125kg
Activity Level:	1-2
Size Range:	22cm-28cm
Component Weight:	449g [†]
Build Height:	70mm size 22-24 75mm size 25-26 80mm size 27-28
Heel Height:	19mm



Part Numbers

Size	Left	Right
22cm	P529101	P529102
23cm	P529103	P529104
24cm	P529105	P529106
25cm	P529107	P529108
26cm	P529109	P529110
27cm	P529111	P529112
28cm	P529113	P529114

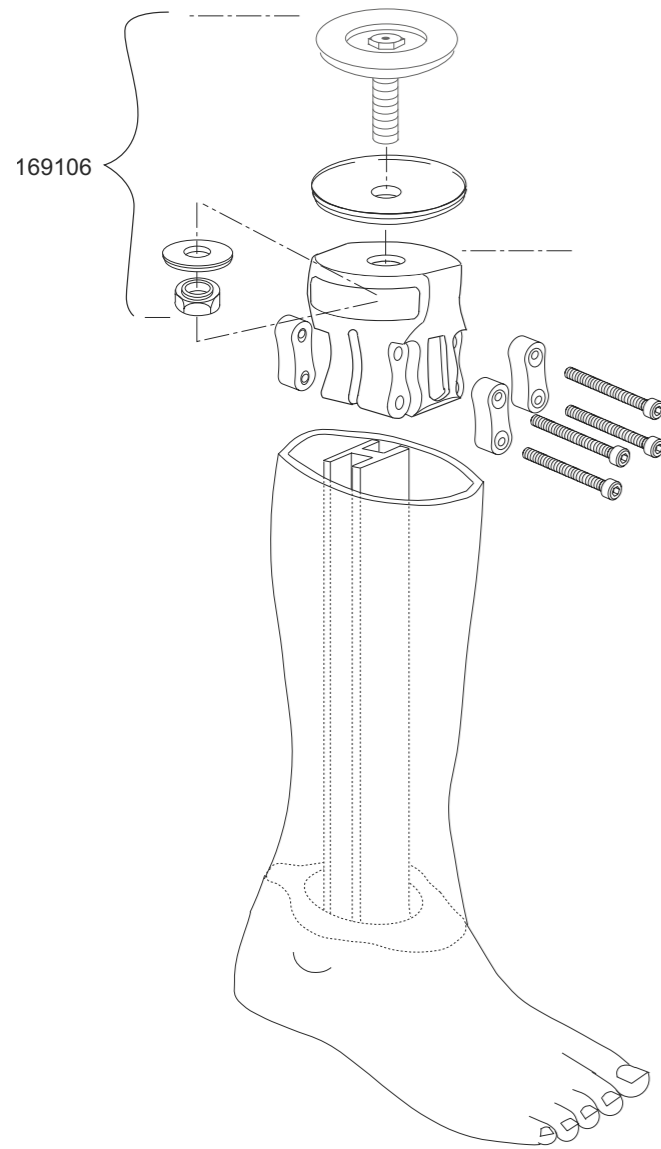
Build Height



Build part numbers are for assembly guidance only and may not be for sale separately.

[†]Component weight shown is for a size 26cm.

Aqualimb^{TT} Schematics



Moulded BK Alignment Kit **169106**
 Instructions for use **938255**

A waterproof prosthesis with integral shin and cosmesis.
 For use in the shower and wet environments.

Features

- Integral shin and cosmesis
- Rapid assembly
- Full alignment device included
- Anti-slip tread pattern on sole

Specifications

Max. User Weight: 100kg
Activity Level: 1-2
Size Range: 22cm-27cm
Component Weight: 1.39kg†
Build Height: 280 to 415mm
Heel Height: 5mm



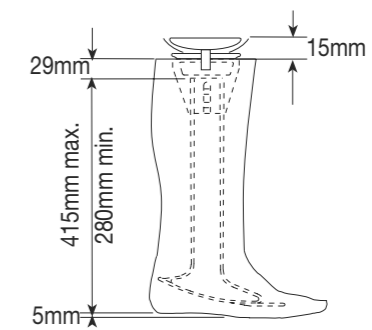
Part Numbers

Size	Left	Right
22cm	629705L	629706L
23cm	629707L	629708L
24cm	629709L	629710L
25cm	629711L	629712L
26cm	629713L	629714L
27cm	629715L	629716L

Aqualimb^{TT}



Build Height



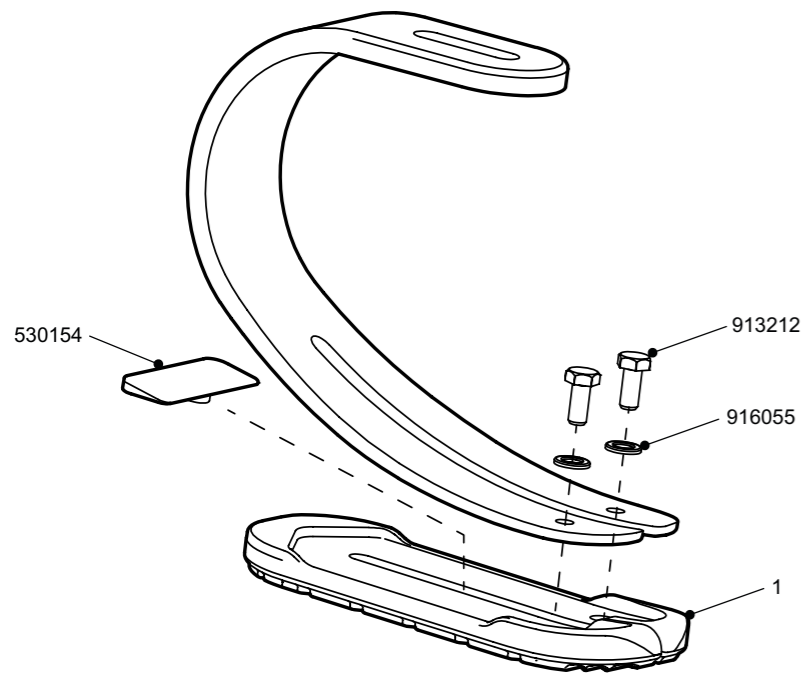
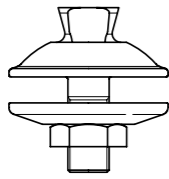


Junior



Mini Blade^{XT} Schematics

Male Mini Pyramid
189627



1 MBXT Heel Spring Kits—include the overmoulded cover, screws, washers and heel wedge.

Spring Category	Heel Type	Part No.
1	Soft Sports	539084SS
2	Medium Sports	539084MS
3	Firm Sports	539084FS
4	Extra Firm	539084 EFS

Adapters	Part No.
Male Mini Pyramid (supplied with foot)	189627

Female Mini Pyramid 25mm Tube Clamp Adapter	189526
---	--------

Female Mini Pyramid 30mm Tube Clamp Adapter	189727
---	--------

MBXT Adapter Kit (M30 threaded short adapter kit for minimum build height)	189826
--	--------

Instructions For Use	938371
----------------------	--------



Build part numbers are for assembly guidance only and may not be for sale separately.

A versatile paediatric blade suitable for a range of activities.

Features

- Twin toe and heel springs
- Split toe design
- Traction sole
- Heel stiffness wedge
- Waterproof
- Field replaceable heel spring kit
- Male mini pyramid with 30mm shift and rotation

Specifications

User Weight:	20-60kg
Amputation Level:	All
Activity Level:	3-4
Spring Range:	1-3
Component Weight:	450g (including male mini pyramid)
Build Height:	168mm
Colour Options:	Dazzling Pink (P) or Electric Blue (B)



Suitable for submersion

Order Example

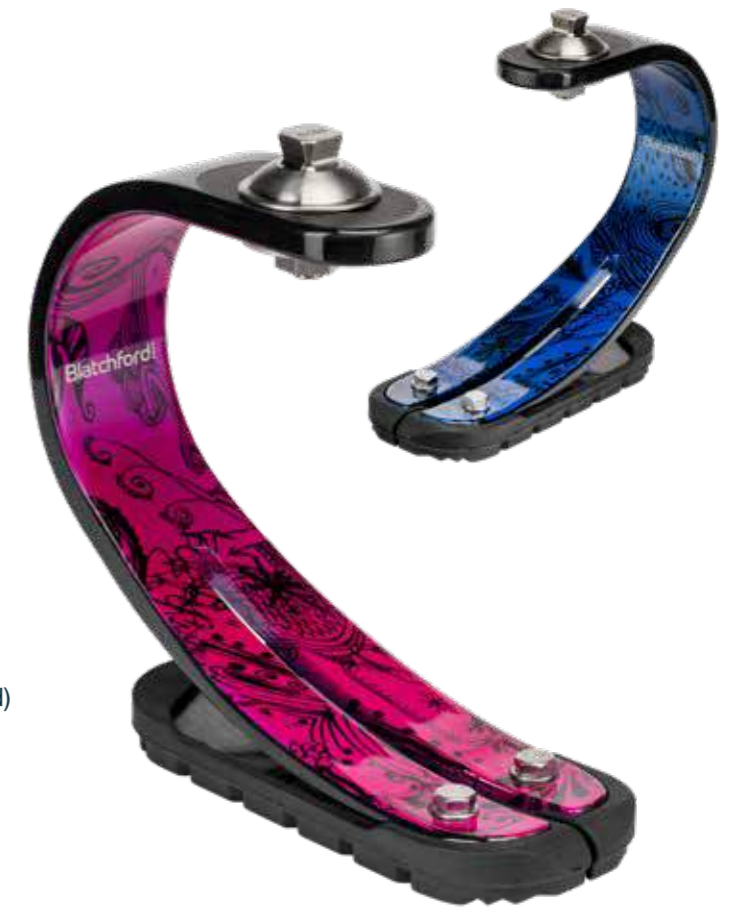
Product Code	Colour	Spring Set
MBXTA	B	3 SM

Foot example: Mini BladeXT, Colour Blue, Spring Set 3.

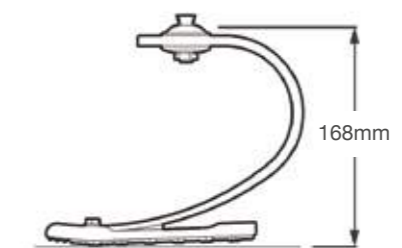
Product Code	Colour	Spring Set
MBXTA	P	1 SM

Foot example: Mini BladeXT, Colour Pink, Spring Set 1.

Mini Blade^{XT}



Build Height

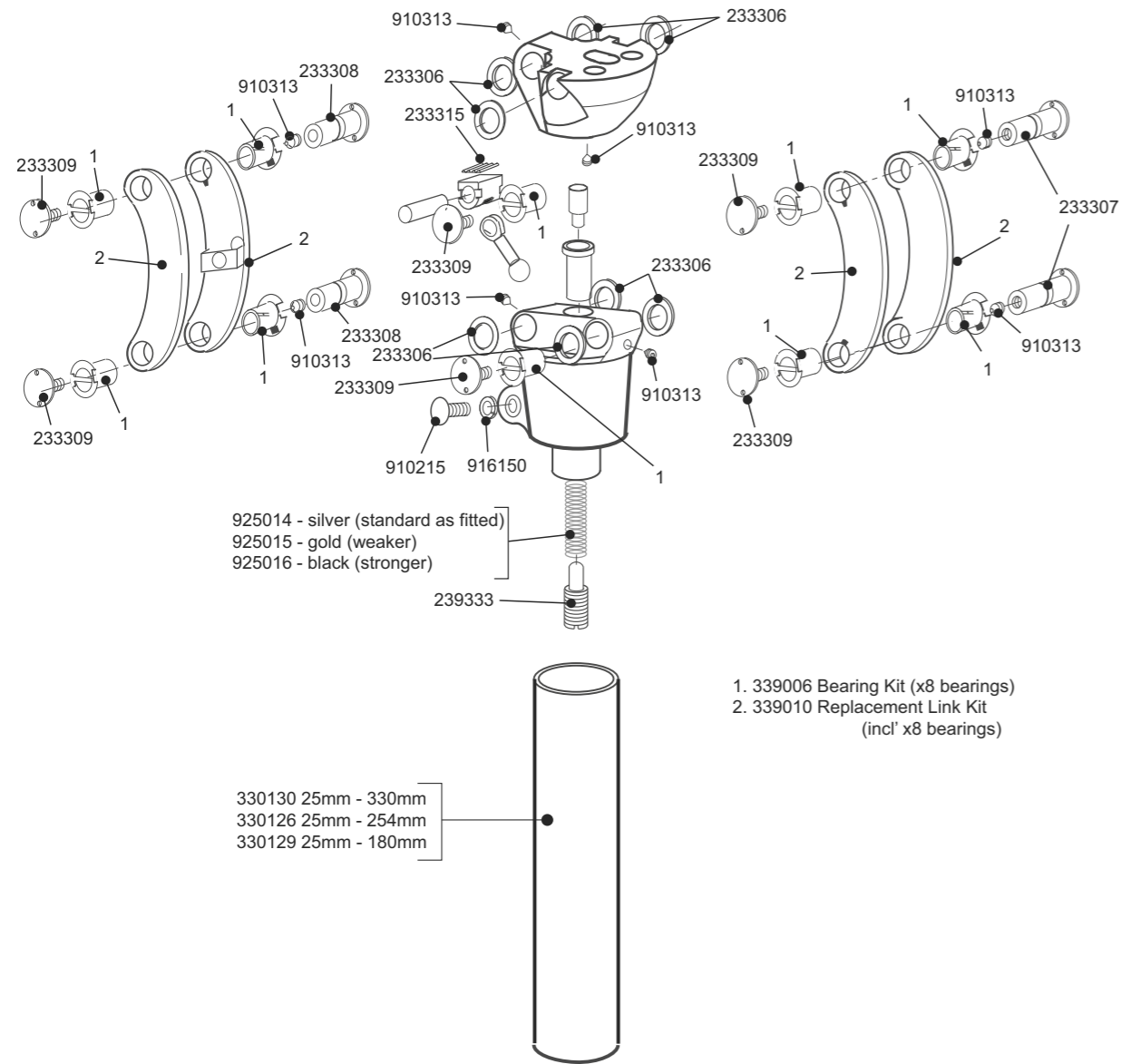


Activity	User Weight			Toe and Heel Spring Set
	20-35 44-77	36-50 78-110	51-60 111-132	
3-4	1 Soft	2 Medium	3 Firm	

4
3

Child's 4-Bar Knee Schematics

TT system 019245



Instructions for use	
Knee	938017
Knee with tube	938103

Build part numbers are for assembly guidance only and may not be for sale separately.

A durable and lightweight polycentric knee designed for active children.

Child's 4-Bar Knee

Features

- Polycentric knee for stance stability
- Adjustable extension assist spring
- Wide range of alignment
- Low build height

Specifications

Max. User Weight:	60kg
Activity Level:	1-4
Component Weight:	335g
Build Height:	105mm



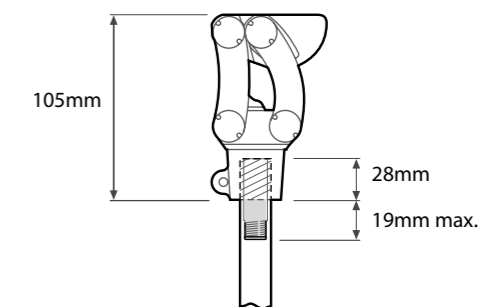
Part Number

Child's 4-bar Knee with 330mm tube	019245
Child's 4-bar Knee without tube	239133

Adapters

Child's TF Alignment Kit	189226	
Lamination Socket Alignment Kit	189126	
M30 Childs Adapter Kit	189726	
Female Mini Pyramid Pylon Kit 25mm	409099	

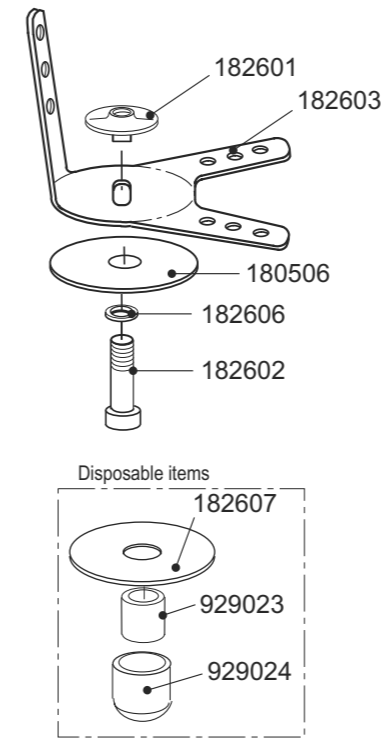
Fitting Length



Number	Description	Part Number	Build height	Weight	Max. User Weight. /Activity Level
1	Child's socket attachment plate for lamination	189126	10mm	125g	60kg/1-4
2	Child's TF alignment kit-Blatchford full alignment	189226	16mm	64g	60kg/1-4
3	M30 Child's Adapter for 4 Bar Knee	189726	12mm	55g	60kg/1-4
4	M30 4 Prong Laminate Adapter	189626	10mm	100g	60kg/1-4
5	Female Mini Pyramid Pylon	409099	TT-50mm to 80mm TF-60mm to 80mm	96g	60kg/1-4
6	Female Mini Pyramid 25mm Tube Clamp Adapter	189526	12mm	75g	60kg/1-4
7	Female Mini Pyramid 30mm Tube Clamp Adapter	189727	12mm	75g	60kg/1-4
8	25mm Carbon Fibre Pylon	330129	180mm	56g	60kg/1-4
9	25mm Carbon Fibre Pylon	330126	253mm	81g	60kg/1-4
10	25mm Carbon Fibre Pylon	330130	330mm	109g	60kg/1-4

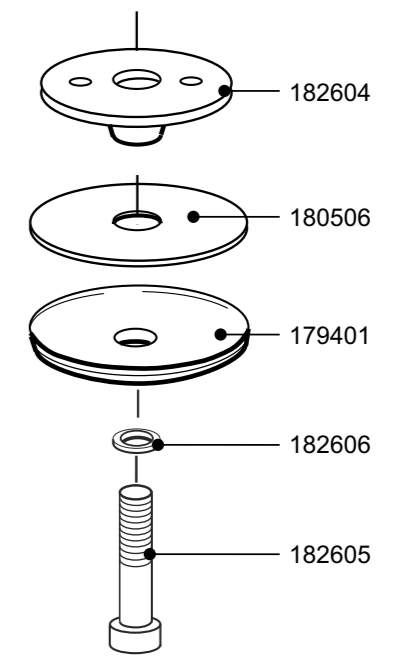


1. TF alignment kit 189126



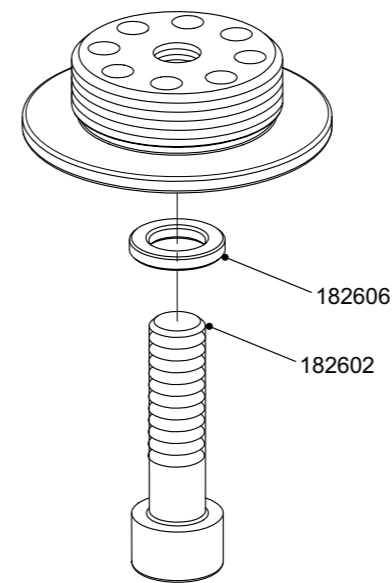
Instructions for use 938112

2. Alignment kit 189226



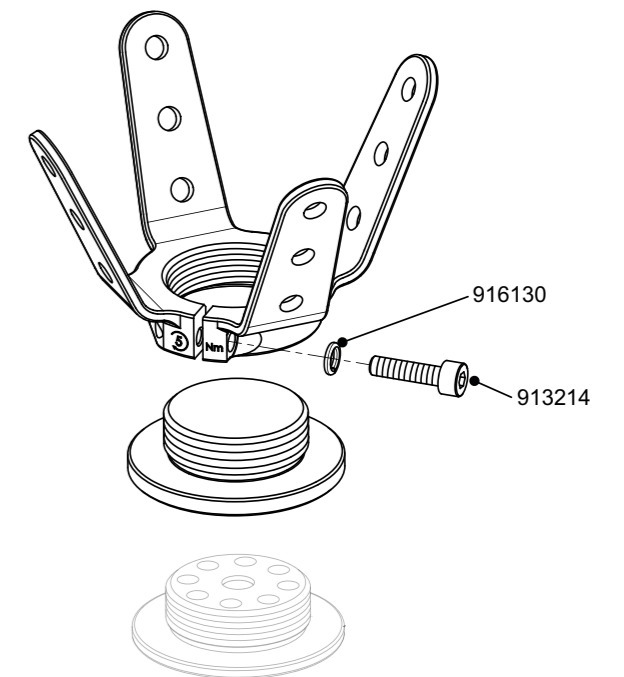
Instructions for use 938109

3. M30 Child's Adapter 189726



Instructions for use 938396

4. M30 4 Prong Laminate Adapter 189626

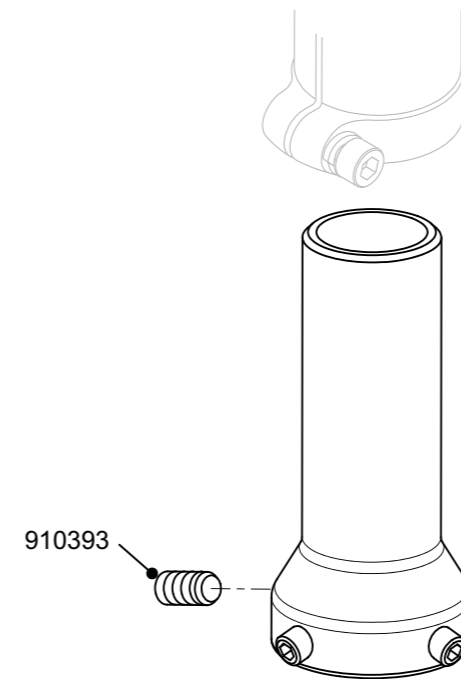


Instructions for use 938395



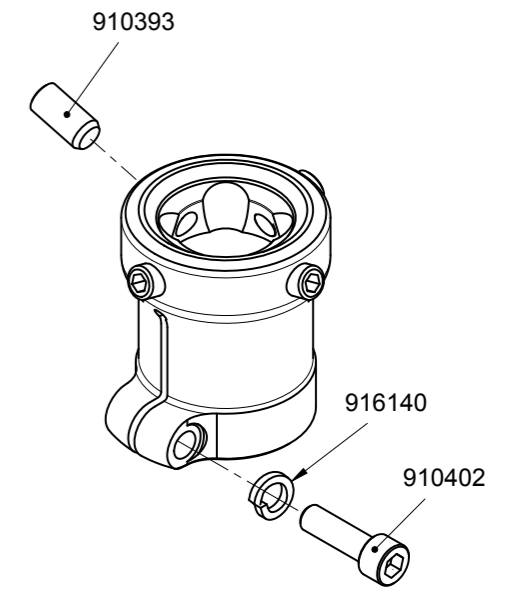
Junior Schematics

5. Female Mini Pyramid Pylon 25mm 409099



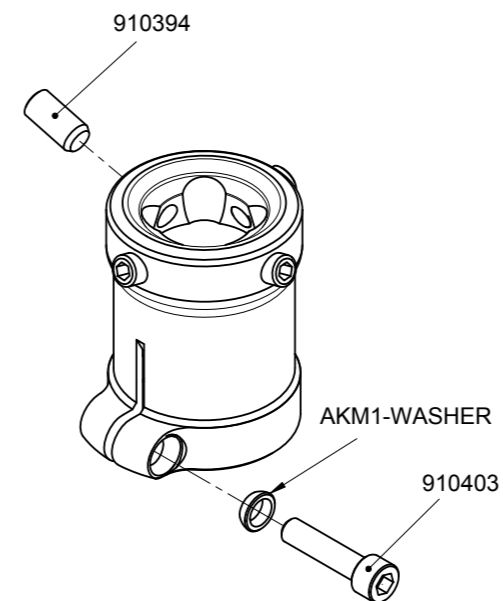
Instructions for use 938394

6. Female Mini Pyramid 25mm Tube Clamp Adapter 189526



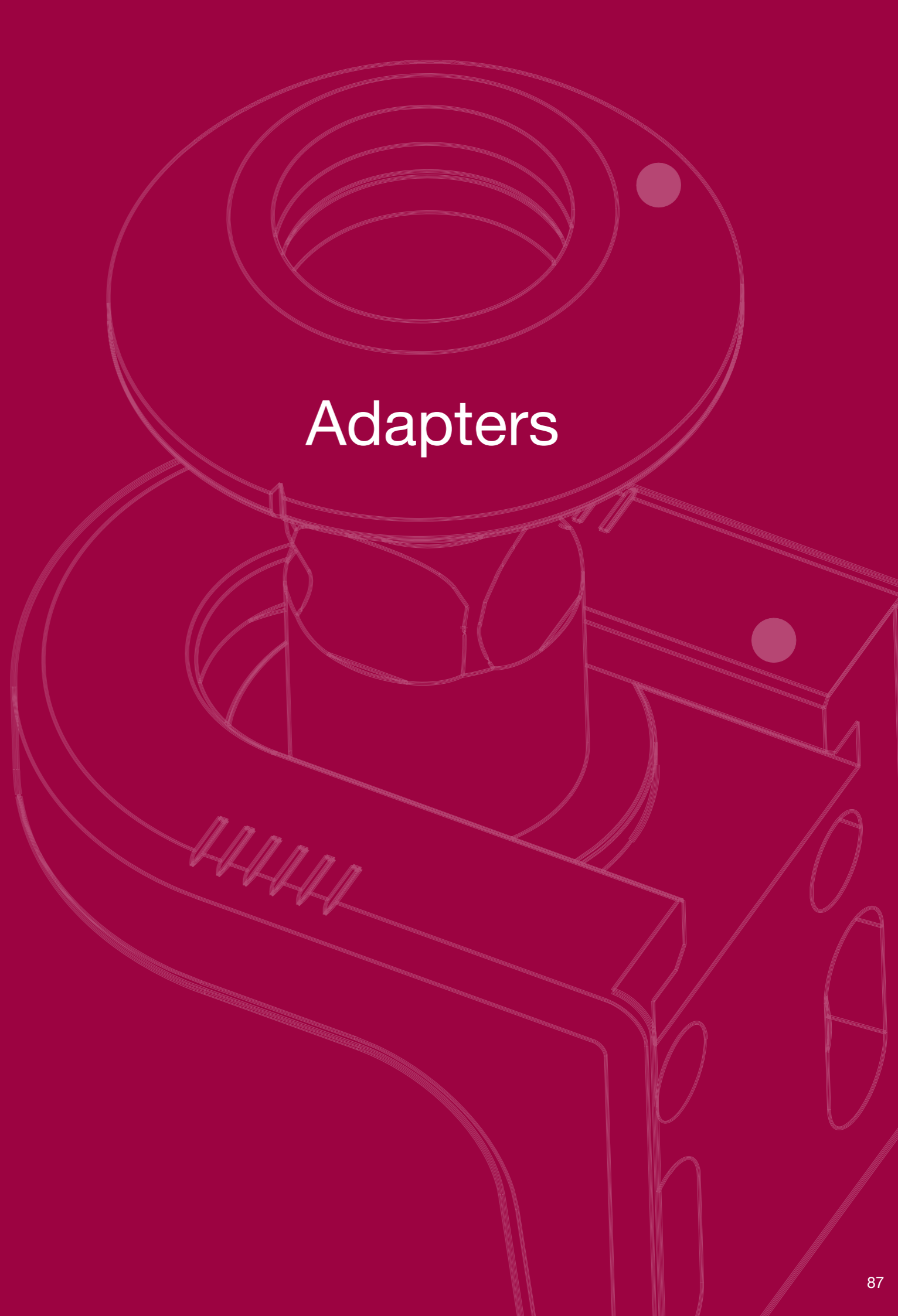
Instructions for use 938373

7. Female Mini Pyramid 30mm Tube Clamp Adapter 189727



Instructions for use 938373

Build part numbers are for assembly guidance only and may not be for sale separately.



Adapters

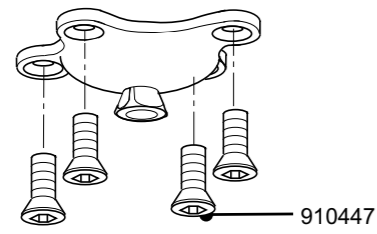
Number	Description	Part Number	Build height	Material	Weight	Max. User wt. /Activity Level
1	TT lamination anchor	P189410S	17mm (35mm)	St. Steel	85g	125kg / 1-3 100kg / 1-4
2	TT lamination anchor	P189410	17mm (35mm)	Aluminium	75g	125kg / 1-3 100kg / 1-4
3	Pyramid male 4-bolt	P189310	8mm (15mm)	St. Steel	68g	150kg / 1-3 145kg / 1-4
4	Pyramid male - sliding/rotating	EP-MSR	14mm (27mm)	Titanium	140g	150kg / 1-3
5	Pyramid female - sliding /rotating	EP-FSR	33mm (33mm)	Titanium	150g	150kg / 1-3
6	Pyramid male 4-bolt - sliding & rotating	169407	15mm	Aluminium/ Titanium	125g	150kg / 1-3 145kg / 1-4
7	Pyramid male - sliding & rotating Non-rotating male pyramid adapter	239017 239089	7mm (22mm) 7mm (22mm)	Alum/Titanium Alum/Titanium	50g 50g	166kg / 4 166kg / 4
8	Pyramid male - Blatchford dome	P189610	23mm	Aluminium/ St. Steel	155g	125kg / 1-3 100kg / 1-4
9	Pyramid female - Blatchford dome	P409049 (large) P409050 (small)	45mm 45mm	Aluminium/ St. Steel	209g	150kg / 1-3 145kg / 1-4
10	Pyramid male - Blatchford knee chassis	189127	5mm (25mm)	Aluminium/ St. Steel	103g	125kg / 1-3 100kg / 1-4
11	Pyramid female short - Blatchford knee chassis	409041	10mm (25mm)	Aluminium/ Titanium	110g	125kg / 1-3 100kg / 1-4
12	Full alignment kit TT - Blatchford dome	189906 (standard)	20mm	Aluminium/ Titanium	122g	125kg / 1-3 100kg / 1-4
13	Full alignment kit TF - Blatchford dome	189806 (standard) 189805 189807	20mm 10mm 30mm	Aluminium Aluminium Aluminium	183g 61g 93g	125kg / 1-3 100kg / 1-4
14	Min. Build Height Kit - 4-bolt ESK+, Mercury and KX07	239032	20mm	Aluminium	170g	125kg / 1-3 100kg / 1-4
15	M36 Adapter	239092	14mm	Alum/St. Steel		125kg / 1-3 100kg / 1-4
16	Pyramid female - sliding & rotating	189128	28mm	Alum/Titanium	114g	166kg / 4

Adapters



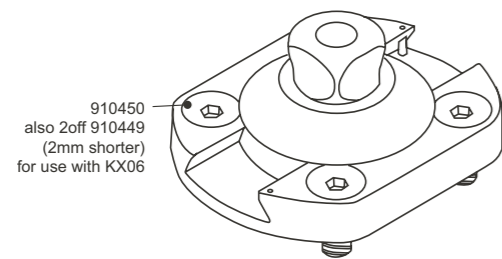
Adapters Schematics

3. Pyramid 4-bolt P189310



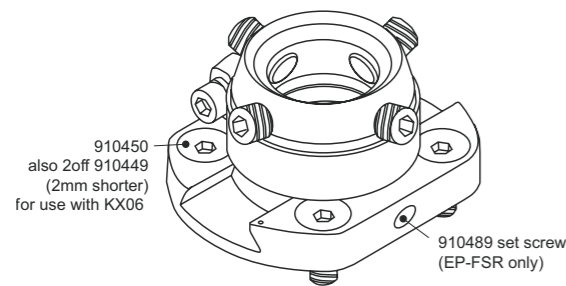
Instructions for use 938282

4. TF Pyramid Male Sliding/Rotating EP-MSR



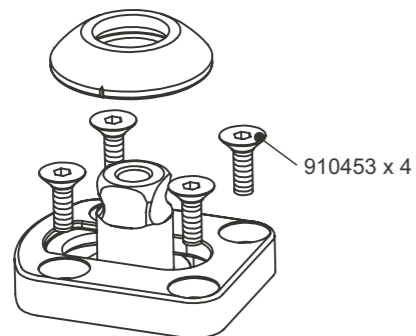
Instructions for use EP-MSR 938244

5. TF Pyramid Female Sliding/Rotating EP-FSR



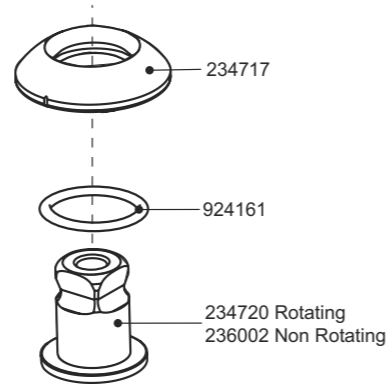
Instructions for use EP-FSR 938240

6. Pyramid male 4-bolt, sliding & rotating 169407



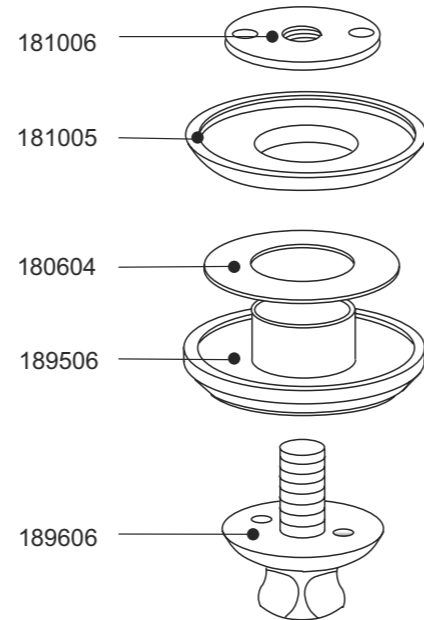
Instructions for use 938310

7. Pyramid Male Sliding Rotating Non Rotating 239017 239089



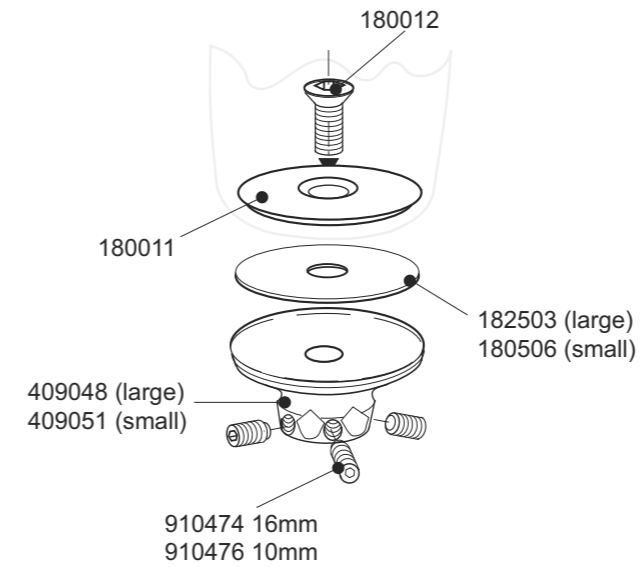
Instructions for use 938179

8. TT Pyramid Alignment P189610



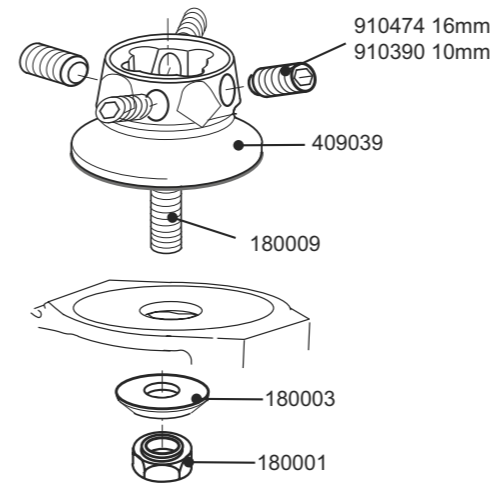
Instructions for use 938110

9. Female pyramid adapter: Large P409049 Small P409050



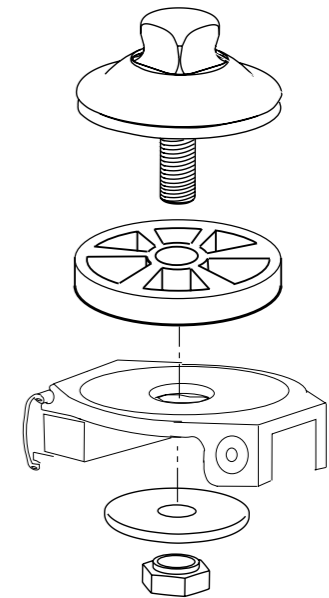
Instructions for use 938090

11. Pyramid shift adapter S 409041



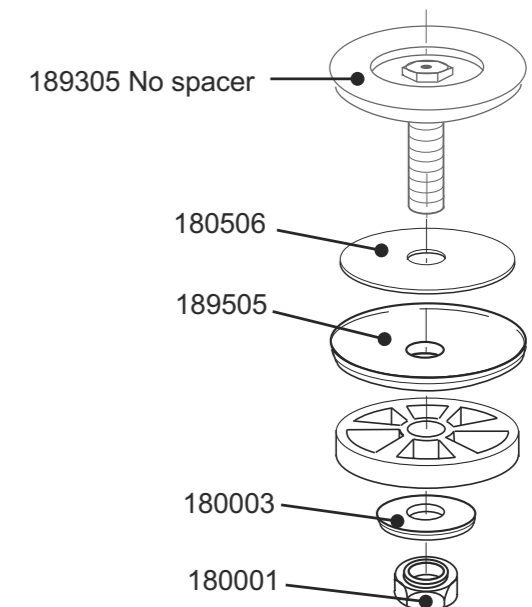
Instructions for use 938050

10. Full align. pyramid Standard 189127



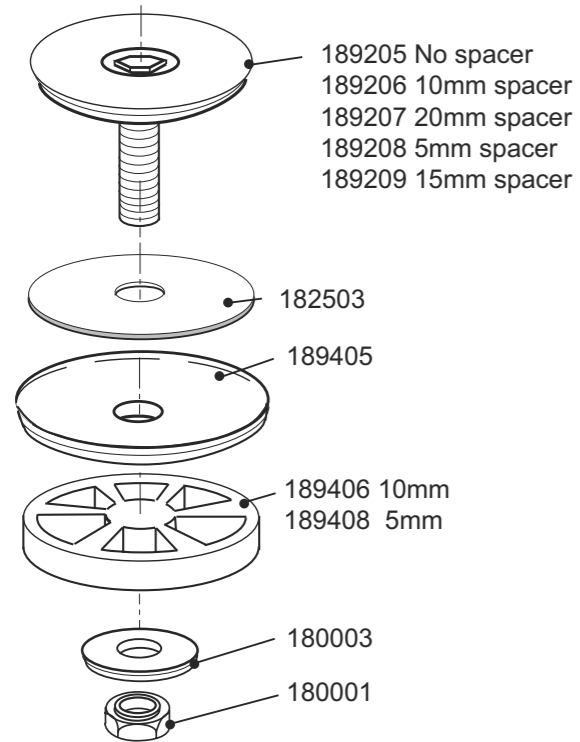
Instructions for use 938164

12. TT alignment kit Standard 189906

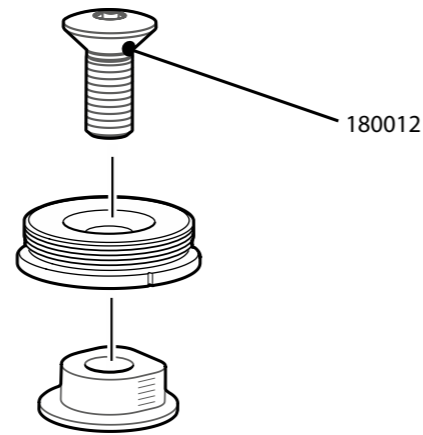


Adapters Schematics

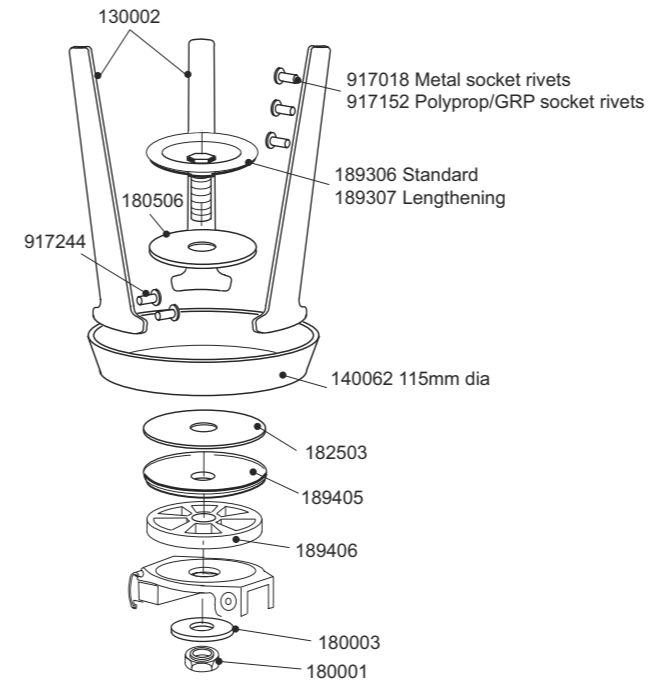
13. TF alignment kit
 standard 189806
 shortening (10) 189805
 lengthening (10) 189807



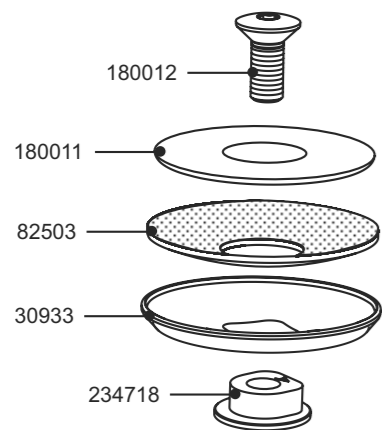
15. M36 Adapter 239092



17. Cup & Strut kit TF - full alignment
 115mm 189118

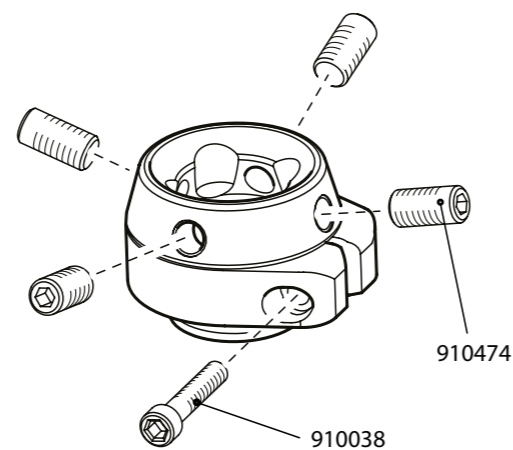


14. Alignment kit 239032



Instructions for use 938265

16. Pyramid female - sliding & rotating 189128



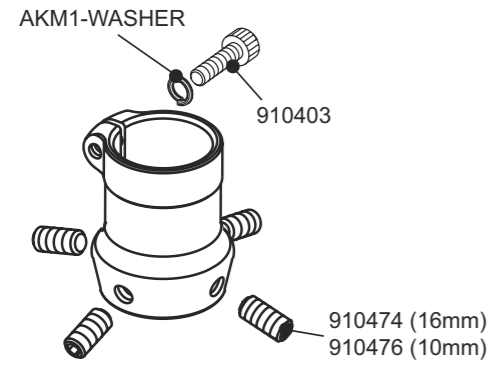
Number	Description	Part Number	Build height	Material	Weight	Max. User wt. /Activity Level
1	Tube clamp adapter pyramid female 30mm	AK30M1	15mm (51mm)	Titanium	92g	150kg / 1-3 145kg / 1-4
2	Blade top housing TT male - sliding & rotating	539601	7mm	Aluminium/Titanium	165g	166kg / 1-3 130kg / 1-4
3	Blade top housing TT female - sliding & rotating	539602	28mm	Aluminium/Titanium	240g	166kg / 1-3 130kg / 1-4
4	Pylon adapter pyramid female - 200mm long - 400mm long - 500mm long	739052	15mm (51mm + tube)	Aluminium	213g	125kg / 1-3 100kg / 1-4
		739053	15mm (51mm + tube)	Aluminium	362g	125kg / 1-3 100kg / 1-4
		739054	15mm (51mm + tube)	Aluminium	420g	125kg / 1-3 100kg / 1-4
5	High strength tube adapter single 30mm	239030	15mm (51mm + tube)	Titanium/Carbon Fibre	272g	150kg / 1-3 145kg / 1-4
	High strength tube adapter double 30mm	239029	40mm + tube (250 max)	Titanium/Carbon Fibre	364g	150kg / 1-3 145kg / 1-4
6	Pylon adapter pyramid female 30mm- low profile	409053	60mm min, 90mm max	Aluminium	97g	125kg / 1-3 100kg / 1-4
7	Pylon 30mm	330120	250mm max	Carbon Fibre	100g	100kg / 1-3 100kg / 1-4
	Pylon 30mm	330132	508mm max	Carbon Fibre	206g	100kg / 1-4
	High strength pylon 30mm	330146	250mm max	Carbon Fibre	180g	150kg / 1-3 145kg / 1-4
	Pylon 30mm/400mm	903220/400	400mm max	Aluminium	285g	125kg / 1-3 100kg / 1-4
8	Pylon adapter 30mm - full alignment	019231	95mm (280mm)	Aluminium/Carbon Fibre	348g	100kg / 1-3
9	Pylon adapter full alignment female 30mm- low profile	339240	43mm (95mm)	Aluminium	185g	125kg / 1-3 100kg / 1-4
10	Top housing TT 30mm - full alignment	339008	25mm (59mm)	Aluminium	142g	100kg / 1-3
11	Multiflex Ankle/Seattle Lightfoot connector	409012	4.5mm	St. Steel	102g	125kg / 1-3 100kg / 1-4

Tubes and Adapters



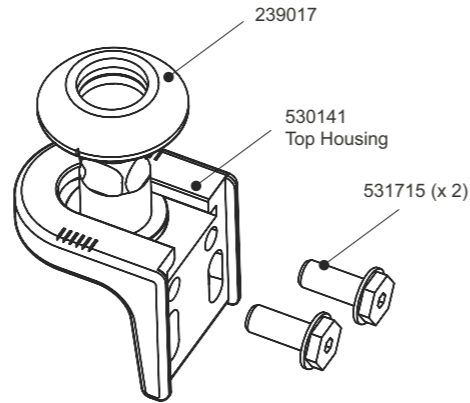
Adapters Schematics

1. Pyramid clamp 30mm AK30M1



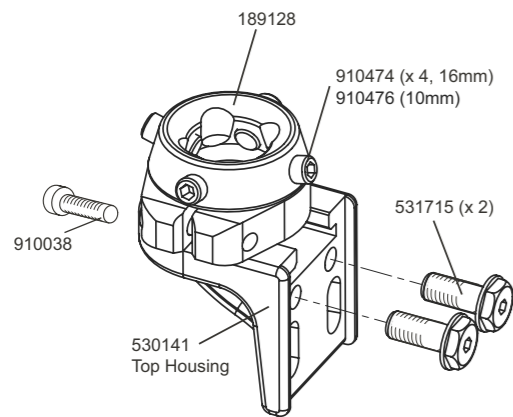
Instructions for use 938252

2. Blade and Javelin top Housing TT male 539601



Instructions for use 938307 & 938179

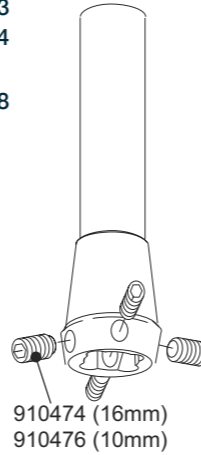
3. Blade and Javelin top Housing TT female 539602



Instructions for use 938307 & 938313

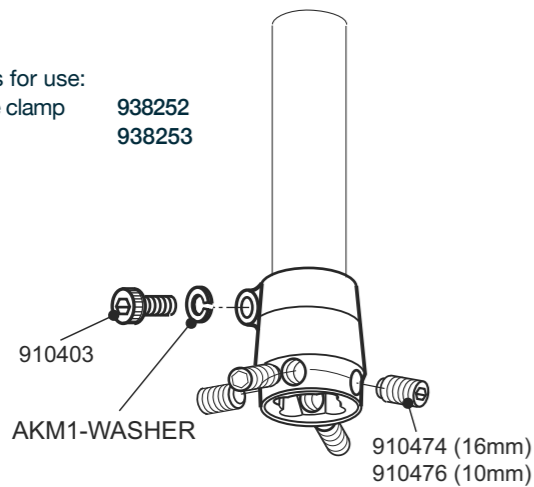
4. Bonded Pyramid Adapter - 30mm tube
200mm 739052
400mm 739053
500mm 739054

Instructions for use 938228



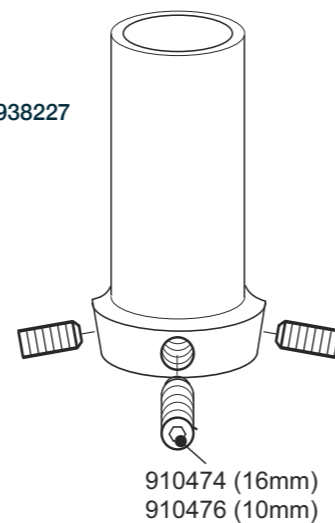
5. High Strength Shin Kit
30mm tube single pyramid 239030
30mm tube double pyramid 239029

Instructions for use:
30mm, tube clamp 938252
tube 938253

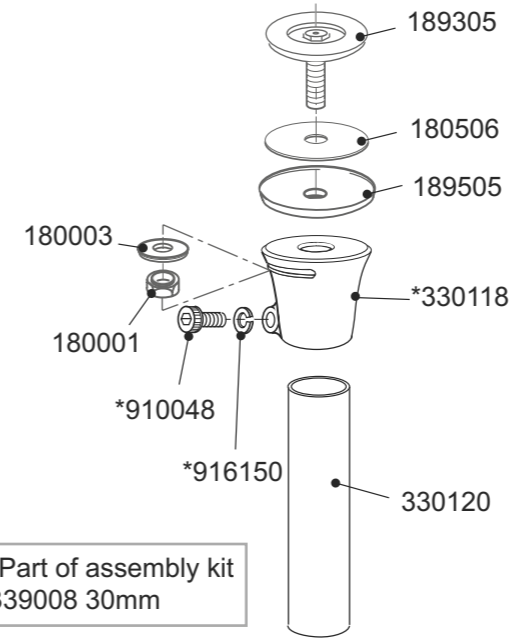


6. Pyramid pylon 30mm 409053

Instructions for use 938227

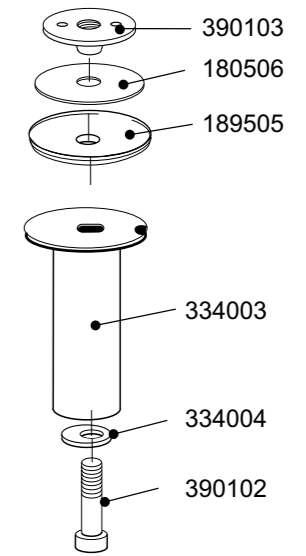


8. Pylon Adaptor - 30mm 019231



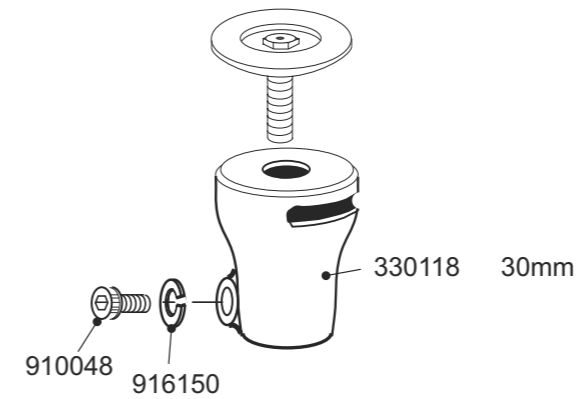
Instructions for use 934393

9. Long stump adapter 30mm dia 339240



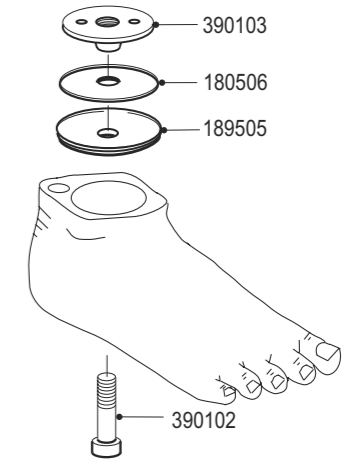
Instructions for use 938069

10. Top housing for TT - 30mm 339008



Instructions for use 938054

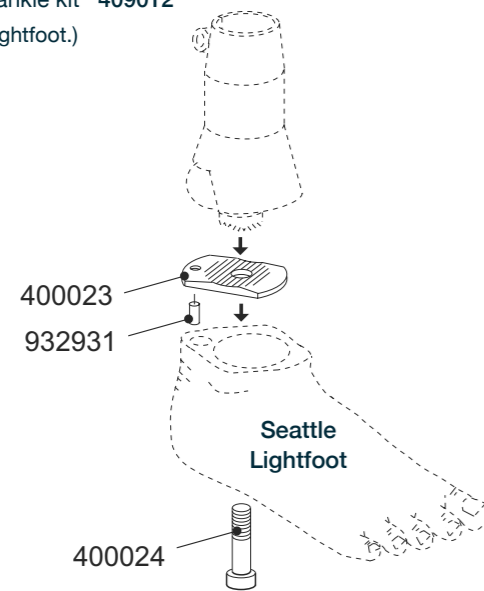
11. Ankle disartic. kit 399101
(For Seattle Lightfoot.)



Instructions for use 934349

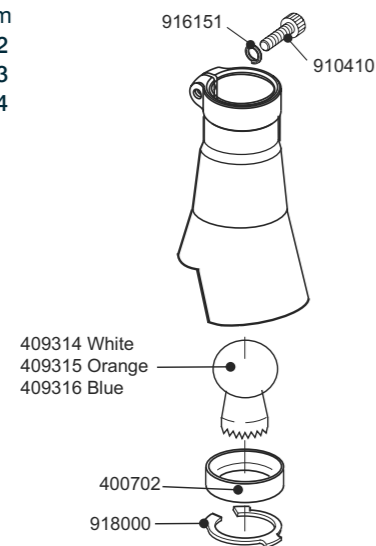
Multiflex Ankle Schematics

12. Multiflex ankle kit 409012
(For Seattle Lightfoot.)



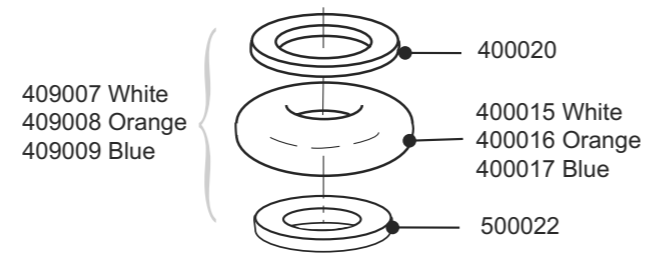
Instructions for use 934339

Multiflex ankle 30mm
60° (w) 379342
70° (o) 379343
80° (b) 379344



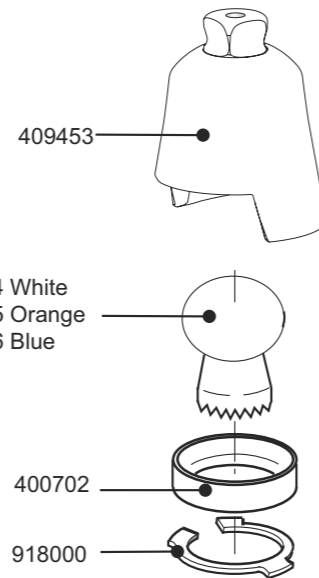
Instructions for use 938224

Snubber



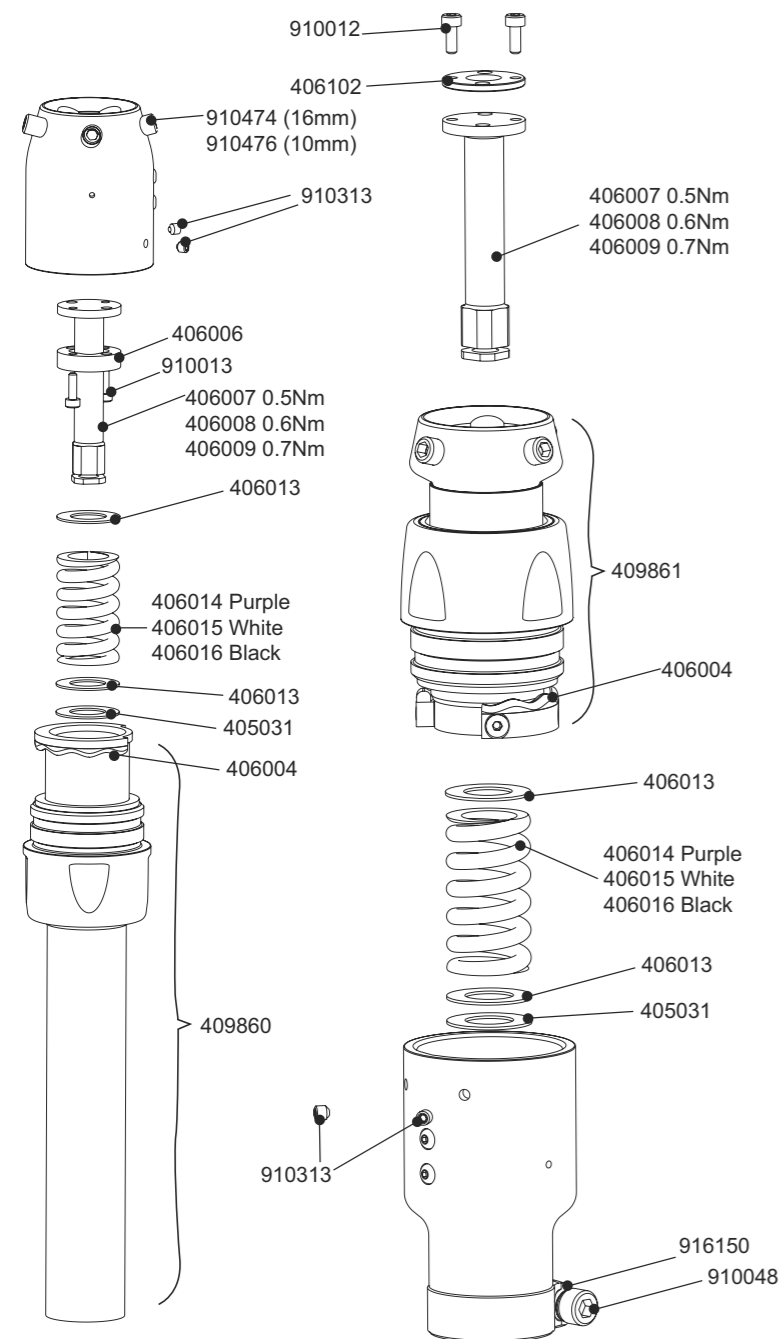
Instructions for use 934331

Multiflex ankle (pyramid)
60° (w) 409353
70° (o) 409354
80° (b) 409355



Instructions for use 938225

TTPro Schematics



Instructions for use **938416**

TT Pro Kits

Spring Kit Purple	TTP S-P Kit
Spring Kit White	TTP S-W Kit
Spring Kit Black	TTP S-B Kit
Torsion Kit 0.5Nm	TTP 0.5 TKit
Torsion Kit 0.6Nm	TTP 0.6 TKit
Torsion Kit 0.7Nm	TTP 0.7 TKit

Ancillary component designed to cushion shock and shear forces caused by vertical and rotational movement. Ideal for sports and activities such as golf, tennis and hiking.

TTPro

Specifications

Max. User Weight/Impact Level:	100kg/ 1-4 125kg/ 1-3
Component Weight:	From 317g
Build Height:	135mm - 260mm (pyr) 145mm (clamp)
System diameter:	30mm



Pyramid
TTPROPYR

Clamp
TTPRO30



Suitable for outdoor use

Order Example

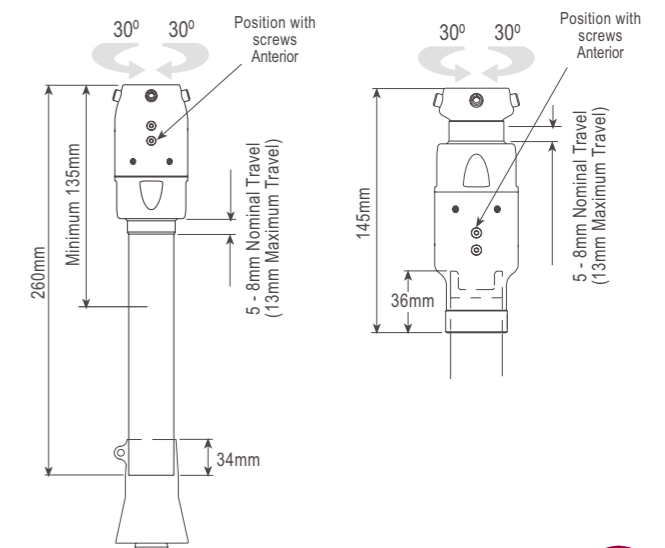
Pyramid			
Product Code	Rod	Spring Set	
TTPRO	PYR	3	B

eg. TTPRO-PYR3B

Clamp			
Product Code	Rod	Spring Set	
TTPRO	30	3	B

eg. TTPRO-30-3B

Build Height



TTPro

Impact Level	User Weight								Rod and Spring Set
	44-52 100-115	53-59 116-130	60-68 131-150	69-77 151-170	78-88 171-195	89-100 196-220	101-116 221-255	117-125 256-275	
Low	1P	2P	2P	2W	2W	3B	3B	3B	
Moderate	2P	2W	3W	3W	3B	3B	3B	3B	
High	3W	3W	3B	3B	3B	3B	-	-	

4
1
3
2



Liners



Blatchford Liners for Trans-Tibial Amputees

Blatchford offer two liner technologies:

- **Silcare Breathe:** Liners that are designed to keep skin dry, cool and healthy. This range of liners are designed with perforations to specifically overcome issues with sweat; helping to maintain a dry, comfortable and secure connection.
- **Silcare:** Liners designed to reduce shear forces within the socket resulting in greater comfort at the skin/liner interface.

Both ranges are available in:

- Two silicone Durometer levels described as **Walk** or **Active**
- **Cushion** or **Locking** options

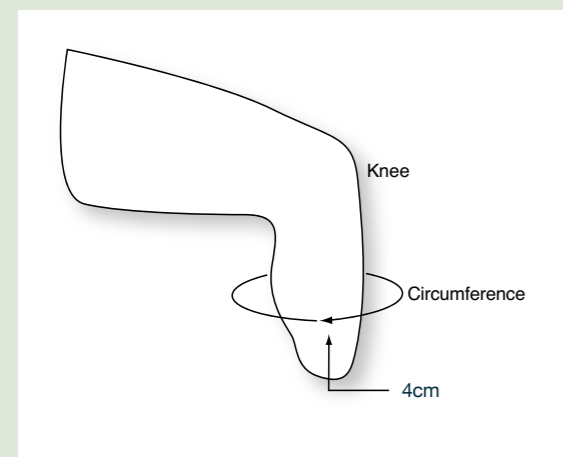
Silcare Breathe Liner Range

Product Range	Technology Description	Description
Silcare Breathe ACTIVE	The patented technology of Silcare Breathe works by letting the air and perspiration that are often trapped between the liner and skin escape through specially designed laser drilled perforations. The air and moisture are then expelled from the socket as the wearer walks. Resulting in drier skin and a healthier environment for the residual limb. This helps to increase comfort and control and reduce the damaging effects of relative motion on damp tissues that is often encountered with standard prosthetic liners.	Blatchford's original liner range using a firmer silicone. Designed to give a firmer interface between the residual limb and the liner, which is suited to more active users .
Silcare Breathe WALK		Utilises a softer silicone designed to provide optimal comfort and control for low to moderately active wearers who have more sensitive and fragile residual limbs.

Guide to Measurements

Liners

How to size, measurements taken 4cm from the distal end, depending on liner brand as shown.



Silcare Breathe Active

(previously Silcare Breathe)

Blatchford's original liner range using a firmer silicone. Suitable for more **active users** i.e. those who have an activity level of 3 or 4

Features

- Firmer silicone for firmer connection between residual limb and liner
- Improvements in residual limb health and wound healing, compared to non-perforated liners
- Improved heat dissipation compared to other temperature regulation solutions
- Removes sweat from skin-liner interface.
- Reduces the need to remove prosthesis throughout the day to dry residual limb, compared to non-perforated liners
- Easy to don
- Seamless bi-directional stretch to improve comfort and contouring. Shear forces on the knee are reduced as it flexes
- Tendresse™ finish provides a lower coefficient of friction than standard silicone, reducing shear stresses on skin
- 6 month warranty

Cushion System – use in conjunction with a one way valve and airtight suspension sleeve helps to generate a better vacuum and more secure fit.

Locking System

- Uni-directional stretch distally resists pistoning whilst bi-directional stretch proximally allows for comfortable knee flexion.
- Locking system and unique one way valve create an airtight seal between the skin and the inner surface of the liner. No separate suspension sleeve is required making knee flexion easier, creating a cooler environment for skin and a more comfortable limb and socket connection.



Silcare Breathe Active Liner - Cushion

Silcare Breathe Active Liner - Locking

Part Numbers

Name Breakdown	Product Name	Type	User	Type	Shape	Size
Part No	SB	A or W	TT	C or L	P	22-40

Sizing Chart

Measure the circumference of the residual limb 4 cm up from its distal end. If the circumference of the residual limb matches one of the sizes in the table, choose the next size down. If the circumference of the residual limb is between one of the sizes in the table, choose the smaller size.

Silcare Breathe is changing its name to **Silcare Breathe Active**. Please note the change to part numbers.

Cushion Range				Locking Range			
Size	Current Part Number	Changing to	New Part Number	Size	Current Part Number	Changing to	New Part Number
22cm	SBTTCP22L	→	SBATTCP22	22cm	SBTTLP22L	→	SBATTLP22
23.5cm	SBTTCP23L	→	SBATTCP23	23.5cm	SBTTLP23L	→	SBATTLP23
25cm	SBTTCP25L	→	SBATTCP25	25cm	SBTTLP25L	→	SBATTLP25
26.5cm	SBTTCP26L	→	SBATTCP26	26.5cm	SBTTLP26L	→	SBATTLP26
28cm	SBTTCP28L	→	SBATTCP28	28cm	SBTTLP28L	→	SBATTLP28
30cm	SBTTCP30L	→	SBATTCP30	30cm	SBTTLP30L	→	SBATTLP30
32cm	SBTTCP32L	→	SBATTCP32	32cm	SBTTLP32L	→	SBATTLP32
34cm	SBTTCP34L	→	SBATTCP34	34cm	SBTTLP34L	→	SBATTLP34
36cm	SBTTCP36L	→	SBATTCP36	36cm	SBTTLP36L	→	SBATTLP36
40cm	SBTTCP40L	→	SBATTCP40	40cm	SBTTLP40L	→	SBATTLP40

NEW Silcare Breathe Walk

Silcare Breathe Walk has been made using a softer silicone to improve cushioning especially at the distal end. This range of liners are designed to be more flexible, softer and provide increased comfort. The softer silicone also improves the stretch of the liner. The increased longitudinal stretch makes knee-flexion easier whilst increased circumferential stretch allows the liner to conform more easily and comfortably to the thigh. Available in both Locking and Cushion versions, the Silcare Breathe Walk range benefits the low to moderate wearers and those with more sensitive or fragile residual limb tissue.

Features - Cushion and Locking

- Softer silicone for improved cushioning of the residual limb
- Improvements in residual limb health and wound healing, compared to non-perforated liners
- Improved heat dissipation
- Removes sweat from skin-liner interface.
- Reduces the need to remove prosthesis throughout the day to dry residual limb, compared to non-perforated liners
- Easy to don
- Bi-directional stretch improves comfort and contouring and reduces shear force at the knee during flexion
- Tendresse™ finish provides a lower coefficient of friction than standard silicone, reducing shear stresses on skin

Locking version only:

- Technical knitted outer cover has integrated distal matrix with uni-directional stretch to resist pistoning
- Seamless knitting technology allows a smoother transition between the bi-directional and uni-directional stretch zones
- Flexi-umbrella - inverts easily to facilitate optimal donning

Sizing Chart

Measure the circumference of the residual limb 4 cm up from its distal end. If the circumference of the residual limb matches one of the sizes in the table, choose the next size down. If the circumference of the residual limb is between one of the sizes in the table, choose the smaller size.

New Product Range: Silcare Breathe Walk

Cushion Range		Locking Range	
Size	Part Number	Size	Part Number
22cm	SBWTTCP22	22cm	SBWTTLP22
23.5cm	SBWTTCP23	23.5cm	SBWTTLP23
25cm	SBWTTCP25	25cm	SBWTTLP25
26.5cm	SBWTTCP26	26.5cm	SBWTTLP26
28cm	SBWTTCP28	28cm	SBWTTLP28
30cm	SBWTTCP30	30cm	SBWTTLP30
32cm	SBWTTCP32	32cm	SBWTTLP32
34cm	SBWTTCP34	34cm	SBWTTLP34
36cm	SBWTTCP36	36cm	SBWTTLP36
40cm	SBWTTCP40	40cm	SBWTTLP40



Silcare Breathe Walk Liner - Cushion

Silcare Breathe Walk Liner - Locking

Kits for Silcare Breathe

Valve Kits

- 559015 Silcare Breathe Locking Valve Kit - Liner Sizes - 22, 23, 25
- 559016 Silcare Breathe Locking Valve Kit - Liner Sizes - 26, 28
- 559017 Silcare Breathe Locking Valve Kit - Liner Sizes - 30, 32, 34
- 559018 Silcare Breathe Locking Valve Kit - Liner Sizes - 36, 40

Casting Dummy Kit

- 559019 Silcare Breathe Casting Dummy Kit for Locking - all sizes



Cosmesis

Ankle



Ankle cosmesis for Multiflex low profile feet.

Part Numbers

	Left	Right	Size
Low Profile Feet			
Multiflex Foot/	561068	561069	22/23/24
Slim Multiflex	561070	561071	25/26
	561072	561073	27/28
	561074	561075	29/30
Super SACH Foot	P561081	P561081	All Sizes

Universal TT Fairing

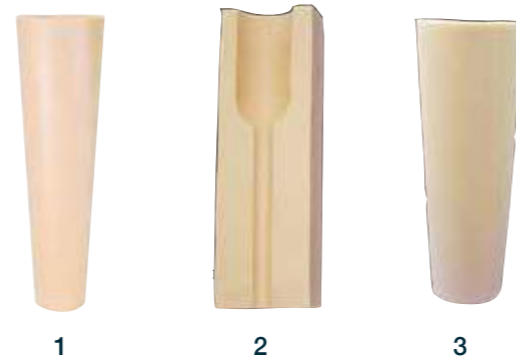


Universal trans-tibial shape cosmesis foam fairing with ankle clearance.

Part Numbers

Fairing Unshaped for 30mm tube	560047
--------------------------------	--------

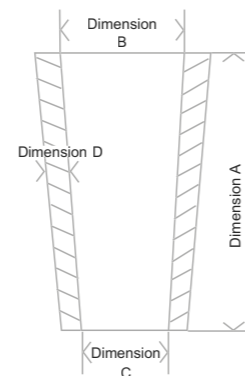
TT



Plastazote cone for trans-tibial cosmesis.

Part Numbers - 1

Dimensions				
A	B	C	D	Number
470	135	85	27	561014
470	155	85	27	561015
470	175	85	27	561012
Universal unshaped, 30/35mm				561077



Part Number - 2

30mm TT 2 step PE foam block	560043
------------------------------	--------

Part Number - 3

30mm TT 2 step PU foam	560040
------------------------	--------

Demountable



Trans-femoral foam for demountable knees.

Part Numbers

Fairings for Blatchford Knees

Fairing Shaped Small Left (Compatible with ESK+, Smart IP, and Mercury Knee) 561095

Fairing Shaped Small Right (Compatible with ESK+, Smart IP, and Mercury Knee) 561096

Fairing Shaped Large Left (Compatible with ESK+, Smart IP, and Mercury Knee) 561097

Fairing Shaped Large Right (Compatible with ESK+, Smart IP, and Mercury Knee) 561098

Universal Fairings

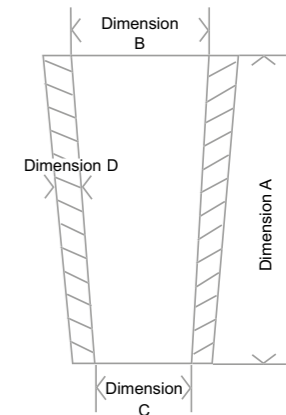
Internal 55mm bore extends 200mm below knee centre 560031

Internal 55mm bore extends 50mm below knee centre (Compatible with Compact SAKL) 560032

Fairing Universal Unshaped (Compatible with ESK+, Mercury and KX07) 561094

Fairing Universal Unshaped Long (Suitable for through hip or tall patients) 561020

TF Thigh



Plastazote thigh fairing for upper part of discontinuous cosmesis.

Part Numbers

Dimensions				
A	B	C	D	Number
450	175	115	27	561001
450	200	140	27	561004
450	190	140	12	561051
450	150	100	12	561052

Durafoam



Durafoam fairing with low resistance knee flexion section to optimise gait changes

Foam fairing with low resistance knee flexion region.

Stockings



Part Numbers

Unseamed toe, brown nylon, 30 denier x 1.25m **909212**

Supplied individually

Part Number

Durafoam knee fairing for use with Orion3 and Linx **561093**

Detachable cosmetic cover **561101BLACK**

Mercury Discontinuous



Part Numbers

Description	Dimension Distal	Proximal	Wall Dimension	Parts
Shin Fairing (1)	85 mm	135 mm	27mm	561014
Shin Fairing (1)	85 mm	155 mm	27mm	561015
Shin Fairing (1)	85 mm	175 mm	27mm	561012
Thigh Fairing (2)	115 mm	175 mm	27mm	561001
Thigh Fairing (2)	140 mm	200 mm	27mm	561004
Thigh Fairing (2)	140 mm	190 mm	12mm	561051
Thigh Fairing (2)	100 mm	150 mm	12mm	561052
Shin Sleeve (3)				580048
Knee ball small (4)				572501
Knee ball medium (5)				572502
Support sleeve (6)				572504



Pyramid version not shown

Distal Attachment and Cylinders	Discon Small *100mm no Cylinder	Discon Medium *110mm no Cylinder
30mm Distally	239037	239038
Pyramid Distally	239040	239041

Supplied with knee ball and support sleeve. Shin only - 239752. Knee details on page 23.

Valves and Accessories



Socket Connection Kit*
409663

*For EchelonVAC and AvalonK2VAC products only

Lyn Valve BK2
929052



Threaded Housing
929053



Vac Barb 90° swivel
929055



One-way check valve
929054



In-line filter
929051



Check Valve Service Kit
409863

*For EchelonVAC and AvalonK2VAC products only

Aria Hybrid Valve
929062



Vacuum tubing 1m length
905464



Lyn Valve® RV Kit - Auto Expulsion
PA0002



Lyn Valve® RV Manual Expulsion - Kit
PA0300



Lyn Valve® RV Slide
PA0400



Aria Valve Plus CA200-AVPM 929074



Valve Block Assembly*
409763

*For EchelonVAC and AvalonK2VAC products only.

Blatchford Socket Lock



- A robust socket lock for silicone and gel liners
- Ratchet operation provides audible feedback for amputee
- Can be laminated or thermoformed into position

Part number:

- 109108 Socket Lock
- 109308 M10 Lock Rod Assembly
- 109408 1/4" UNC Lock Rod Assembly
- BSLKit Blatchford Socket Lock Kit

Blatchford Socket Valves



Part number:

- Trans-femoral Suction Socket Valve Kit:
 - 099132 standard 19mm dia. orifice
 - 099134 large 24mm dia. orifice
- Trans-femoral, Flexible Socket Valve Kit:
 - 099135 large 24mm dia. orifice

Warranty Listing

Integrated Limb System	
Linx	36 months*
Knees	
Orion3	36 months*
SmartIP – all variants, brake band 12 months only	24 months
KX07	36 months
Mercury – all variants	36 months
ESK+ - all variants, brake band 12 months only	24 months
BMK2	24 months
Compact SAKL	24 months
Aqualimb TF	24 months
Child's 4-bar Knee	24 months
Feet	
Elan	36 months*
ElanIC	36 months*
BladeXT (excluding paintwork and sole cover)	24 months
Mini BladeXT (excluding paintwork and sole cover)	24 months
Elite BladeVT	36 months
Elite Blade	36 months
EliteVT	36 months
Elite2	36 months
EchelonVT	36 months
Echelon	36 months
EchelonER	36 months
EchelonVAC	36 months
Javelin	36 months
Epirus	36 months
Esprit	36 months
Navigator	24 months
AvalonK2	24 months
AvalonK2VAC	24 months
Multiflex - all variants	24 months
Super SACH	24 months
Aqualimb	24 months

Controls	
SmartIP	24 months
PSPC	24 months
Blatchford Hydraulic Cylinders - all variants	24 months
Service Exchange Products	
Blatchford units - all variants	12 months
SmartIP	18 months
Ankles, Adapters and Shins	
Multiflex Ankles	24 months
Ankle Snubbers	3 months
All Adapters & Tubes	24 months
Shins	24 months
TT Pro – all variants	24 months
Liners and Sleeves	
Silcare Breathe Liners	6 months
Silcare Liners	6 months
Blatchford Comfort Liners	6 months
Suspension Sleeves	1 month
Foot Shells and Cosmesis	
Foot Shell	12 months
Cosmetic Items (Fairings, Coverings, Kneeballs etc)	1 month
Glide Sock	3 months
Cosmetic Cover (Orion3/Linx)	6 months

See Blatchford website for current full warranty statement.

Warranty periods commence from the original date of shipment unless otherwise stated.

Note: Any warranty on repaired or replaced items is governed by the original date as the remaining warranty period from the original purchase must be maintained.

*Extended warranty is available on request; contact your service provider.

Global Warranty Statement

Blatchford Group warrants its products for a period of time against defects in Blatchford material and workmanship (“Manufacturing Defect”). The warranty period applies from the date of the first shipment of the Product to you (the “Original Shipment Date”), unless otherwise specified.

In the event that a Manufacturing Defect is discovered during the warranty period, Blatchford will, at its discretion, repair or replace the affected part or device. If repair is not possible, Blatchford will replace it with another of equivalent function. If this is not possible, Blatchford will refund the purchase price associated with the Manufacturing Defect. Depending on the circumstances and at the discretion of Blatchford, this might be a refund of a specific part of, or the whole device. The warranty of the repaired or replaced part is limited to the remaining warranty period from the Original Shipment Date.

To the extent permitted by local law, the warranty coverage is limited to an amount equivalent to the cost of the original failed part (or where applicable, device) and excludes all associated or related costs. For the sake of clarity, the phrase “all associated or related costs” includes but is not limited to associated parts, assembly and disassembly costs, transport costs, travel and handling costs and any form of compensation.

The warranty does not cover issues arising from misuse, accidental damage, neglect, wear and tear, unapproved component modifications, incorrect assembly and unless otherwise specified, immersion in water.

Specific limitation of use as detailed in the documentation supplied with the product (Instructions for Use) must be complied with. This warranty does not cover products that are modified to meet the needs of the customer where such modifications may adversely affect the lifespan of the item.

Blatchford makes no other express warranty or condition, whether written or oral. To the extent allowed by local law, any implied warranty or condition of merchantability, satisfactory quality, or fitness for a particular purpose is hereby disclaimed. Some countries/regions, states, or provinces do not allow limitations on the duration of an implied warranty, so the above disclaimer may not apply to you. This warranty gives you specific legal rights, and you may also have other rights that vary from country/region to country/region, state to state, or province to province.

To the extent allowed by local law, the remedies in this warranty statement are your sole and exclusive remedies. except as indicated above, in no event will Blatchford or its suppliers be liable for direct, special, incidental, consequential, or other damage, whether based in contract, tort, or otherwise. Some countries/regions, states, and provinces do not allow the exclusion of certain damages, in which case to the extent prohibited, the above limitations and exclusions may not apply to you.

If the product comes with a Warranty Registration Form then this must be completed and returned to the company for the warranty to be effective.

Where requested by Blatchford, a Warranty Claim Form must be fully completed and supplied with the affected part to qualify for warranty.

To make a claim under product warranty, please contact our Customer Services department.

Please be aware our Warranty Statement is subject to change - in all cases our current Warranty Statement is published on our website.

The Bluetooth® word mark and logos are registered trademarks owned by Bluetooth SIG, Inc. and any use of such marks by Blatchford is under license. Other trademarks and trade names are those of their respective owners.



An annual visual inspection is recommended. Check for visual defects that may affect proper function. Maintenance must be carried out by competent personnel. Before carrying out any new activities of daily living, please check with your clinician whether specific training is required.

800 548 3534 | info@blatchfordus.com
Blatchford Inc., 1031 Byers Road, Miamisburg, Ohio 45342, USA.

[@blatchfordus](https://twitter.com/blatchfordus) | [blatchfordmobility.com](https://www.blatchfordmobility.com)

936594US Iss21_2 12/22. Information correct at time of print.

Blatchford 